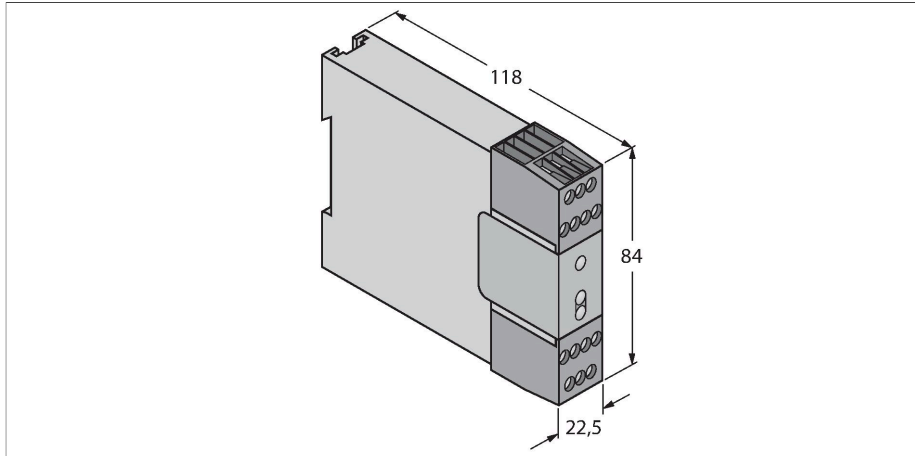


UM-FA-9A

Safety Relay – For OSSD and Potential-Free Contacts



Features

- Adjustment via DIP switch
- 3 safety switching outputs (NO)
- Max. 6 A
- Operating voltage 24 V AC/DC +/-10 %
- Protection class IP54
- Safety category 4 acc.to ISO 13849-1 (EN 954-1)
- Safety Integrity Level (SIL) 3 per IEC 61508/62061
- Performance level (PL) e per ISO 13849-1
- Stopp category 0 per IEC/EN 60204-1

Technical data

Type	UM-FA-9A
ID	3081227
Function	Safety relay
Operating voltage	21...28 VDC
Operating voltage	21...28 VAC
Output function	NO contact
Response time typical	< 25 ms
Design	Terminal chamber
Dimensions	118 x 22.5 x 84 mm
Housing material	Plastic, PC
Electrical connection	Removable terminal block, reverse polarity protected, screw connection
Ambient temperature	0...+50 °C
Relative humidity	0...90 %
Protection class	IP20
Power-on indication	LED, Green
Switching state	LED, Green