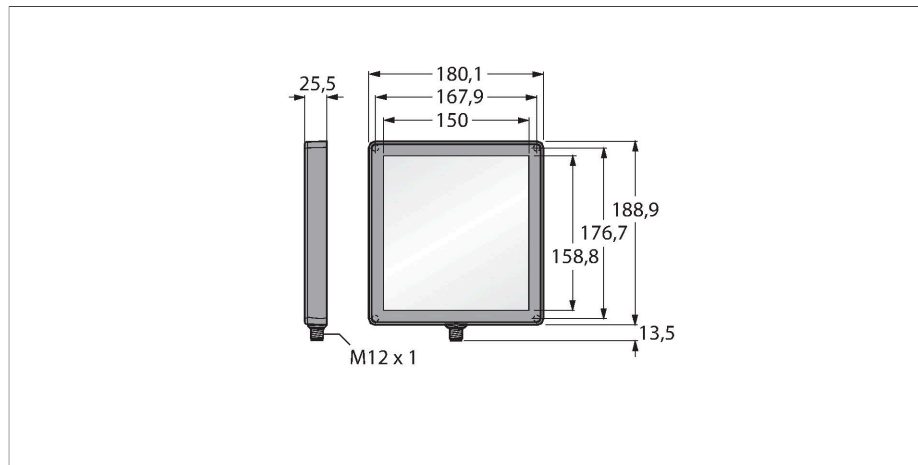


LEDBB150X150PW2-XQ

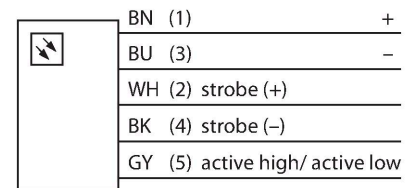
Vision System – Backlight



Features

- Protection class: IP67
- Color: blue
- Power supply: 24 VDC
- M12 x 1 male

Wiring diagram



Technical data

| | |
|------------------------------------|---------------------------------|
| Type | LEDBB150X150PW2-XQ |
| ID | 3082481 |
| Signal and display data | |
| Purpose | Image processing |
| Function | Area light |
| Light type | Blue |
| Wavelength | 465...485 nm |
| LED service life (L70) | 50000 h |
| Features of color 1 | Blue |
| Special features | Wash down |
| Electrical data | |
| Operating voltage | 24 VDC |
| DC rated operational current | ≤ 1100 mA |
| Max. current consumption per color | 1100 mA |
| Mechanical data | |
| Design | Rectangular |
| Dimensions | 180.1 x 188.9 x 25.5 mm |
| Housing material | Plastic, Thermoplastic material |
| Window material | Acrylic, diffuse |
| Electrical connection | Connector, M12 × 1, PVC |
| Number of cores | 5 |
| Ambient temperature | 0...+50 °C |
| Protection class | IP67 |
| Tests/approvals | |
| Approvals | CE, cULus listed |

Functional principle

Installed directly behind the object, opposite to the sensor. Highly diffuse surfaces and consistent brightness, with lower intensity compared to other lights.