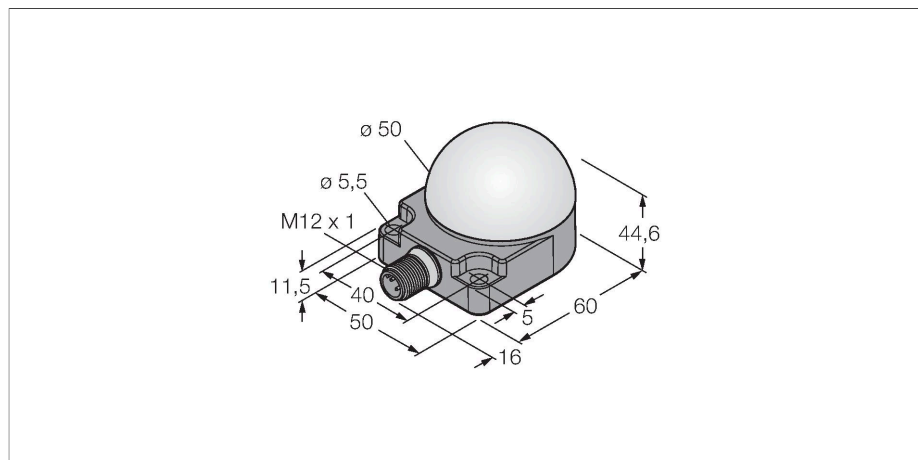


K50FLRXPQ

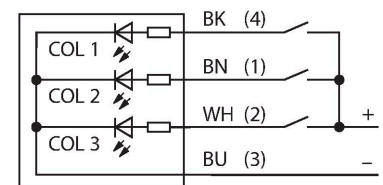
LED Indicator – Beacon



Features

- LED all-round visible
- Flat mounting
- Individually controllable
- Protection classes IP67/IP69K
- Monochrome: Red (COL 2)
- M12 × 1 male, 5-pin
- Operating voltage 18...30 VDC

Wiring diagram



Technical data

Type	K50FLRXPQ
ID	3083411
Signal and display data	
Purpose	LED indicator light
Function	Spotlight
Light type	Red
Dimmable	No
Features of color 1	Red
Features of color 2	Red
Special features	Wash down
Electrical data	
Operating voltage	18...30 VDC
DC rated operational current	≤ 75 mA
Max. current consumption per color	40 mA
Input type	PNP
Response time typical	< 1 ms
Mechanical data	
Cascadable	No
Design	Dome, K50F
Dimensions	50 x 76 x 44.6 mm
Housing material	Plastic, PC, Black
Window material	Polycarbonate, diffuse
Electrical connection	Connector, M12 × 1, PVC
Number of cores	4
Ambient temperature	-40...+50 °C
Relative humidity	0...95 %
Protection class	IP67

Functional principle

The LED display is suitable for industrial use thanks to its rugged design in protection class IP67. Depending on the pin assignment, one of the three colors lights either steady or flashes during the period of one PNP input signal. The "2" in the type code indicates the flashing function of the LED. For example: when connecting the brown and the black wire to 24 VDC, the LED starts flashing red. You find a more detailed description of the terminal programming in the instruction leaflet delivered with the item. Alternate flashing of all colors is also possible. The wiring diagram shows the PNP input configuration. An instruction leaflet with detailed information about the connection is included with the devices.

Technical data

IP69

Tests/approvals

Approvals

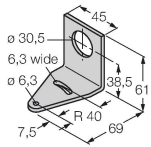
CE

Accessories

SMB30A

3032723

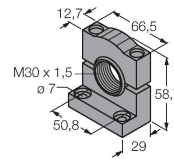
Mounting bracket, rectangular, stainless steel, for sensors with 30mm thread



SMB30SC

3052521

Mounting bracket, PBT black, for sensors with 30 mm thread, rotatable



Accessories

Dimension drawing

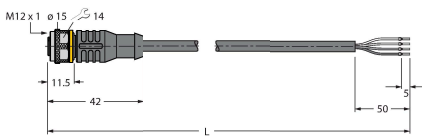
Type

ID

RKC4.4T-2/TEL

6625013

Connection cable, M12 female connector, straight, 4-pin, cable length: 2 m, jacket material: PVC, black; cULus approval



WKC4.4T-2/TEL

6625025

Connection cable, M12 female connector, angled, 4-pin, cable length: 2 m, jacket material: PVC, black; cULus approval

