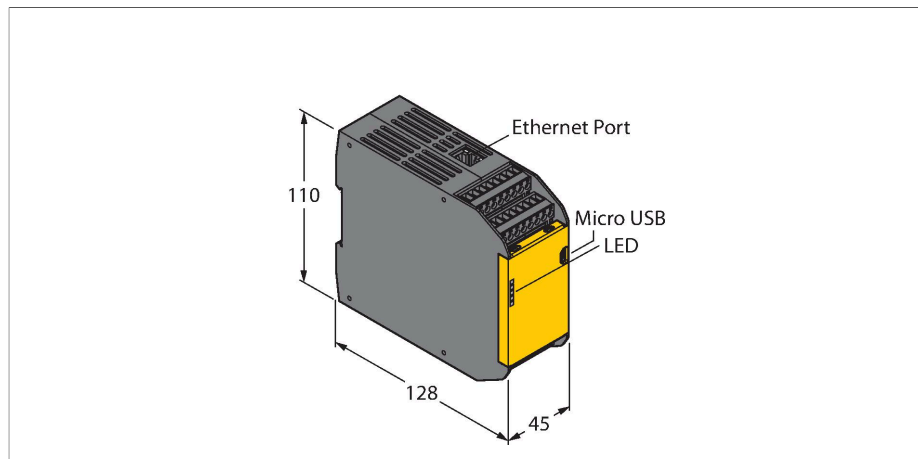


# XS26-2E

## Safety Technology – Expandable Programmable Safety Controller



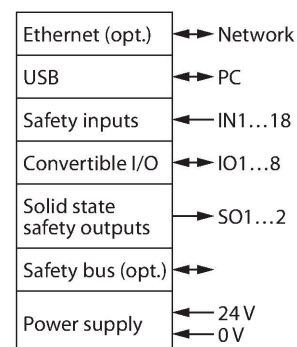
### Features

- PLe acc. to ISO 13849-1
- SIL 3 acc. to IEC 61508 and IEC 62061
- Settings made via pushbutton or software
- Expandable with relays, input and output modules
- 26 inputs, of which 8 can be reconfigured as outputs
- 2 independent safety outputs
- Intuitive programming interface
- Ethernet connection, up to 64 virtual status outputs can be achieved
- Operating voltage 24 VDC +20%
- Protection class IP20
- Freeware (included in delivery)

### Technical data

Type	XS26-2E
ID	3085063
Function	Controller
Operating voltage	20...28 VDC
Communication protocol	EtherNet/IP Modbus TCP PCCC PROFINET
Number of safe semiconductor outputs	2
Response time typical	< 10 ms
Design	Rectangular, XS26
Housing material	Plastic
Electrical connection	Removable terminal block, reverse polarity protected, screw connection
Ambient temperature	0...+55 °C
Relative humidity	0...90 %
Protection class	IP20
<b>Tests/approvals</b>	
Approvals	CE, cULus listed

### Wiring diagram



### Functional principle

The safety controller can have multiple safety relay modules for the use of emergency stop switches, door-lock switches, safety light screens, two-hand controls, safety mats and other protective devices.

The safety controller can be configured with the software and automatically generates a wiring diagram and a ladder diagram logic. For the transfer of software created configuration you can either connect a serial USB-cable or an XM-memory card to the Micro USB port of the controller.

### Accessories

Dimension drawing	Type	ID	
<small>Kein Maßbild vorhanden/ No dimension drawing available</small>	SC-TC2	3085078	Terminal block with cage clamps; 8 ports
<small>Kein Maßbild vorhanden/ No dimension drawing available</small>	SC-TS2	3085076	Terminal block with cage clamps; 8 ports

Dimension drawing	Type	ID	
	SC-XMP2	3029482	Programming adapter

Kein Maßbild vorhanden/  
No dimension drawing available

## Accessories

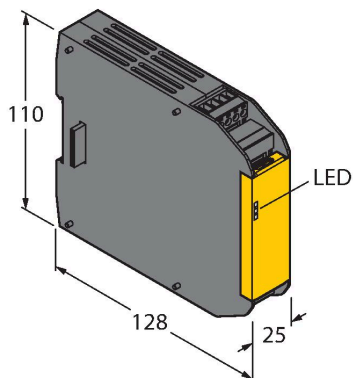
Dimension drawing	Type	ID	
	SC-USB2	3029480	Serial USB cable, type A to Micro-B; length: 1.8m

Kein Maßbild vorhanden/  
No dimension drawing available

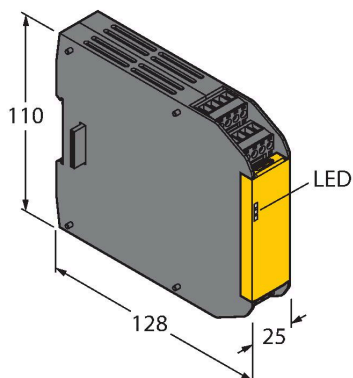
SC-XM2	3029481	External memory card, Micro-B; EEPROM configuration
--------	---------	--

Kein Maßbild vorhanden/  
No dimension drawing available

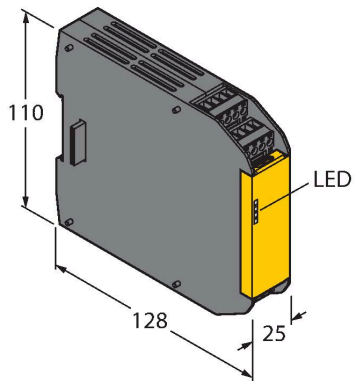
CD ROM XS26-2 SAFETY CONTROLLER CONFIGUR	3090443	CD-ROM, configuration software, operating instructions;
XS8SI	3085070	Safety input module (8 inputs)



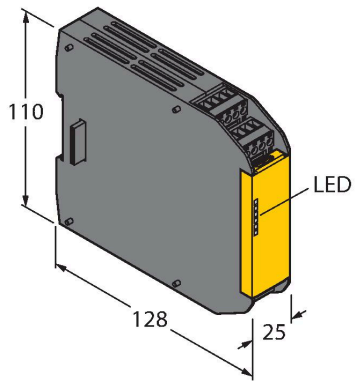
XS16SI	3085069	Safety input module (16 inputs)
--------	---------	---------------------------------



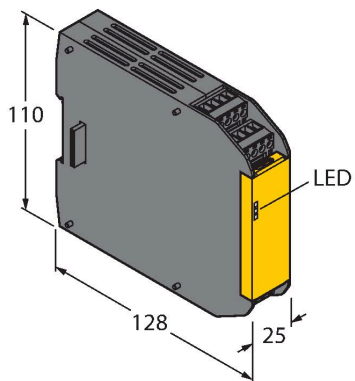
Dimension drawing	Type	ID	
	XS2SO	3085072	Safety output module (2 outputs)



	XS4SO	3085073	Safety output module (4 outputs)
--	-------	---------	----------------------------------



	XS1RO	3085074	2-channel safety relay output (1 output)
--	-------	---------	--



Dimension drawing	Type	ID	
	XS2RO	3085075	2-channel safety relay output (2 outputs)

