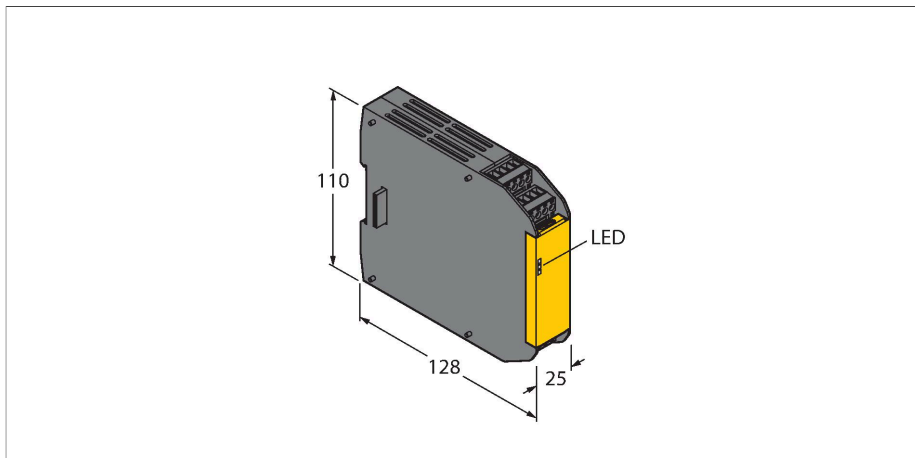


XS1RO

Safety Technology – Two-channel Safety Relay Output



Features

- Only for use with XS26-2xx safety controller
- PLe acc. to ISO 13849-1
- SIL 3 acc. to IEC 61508 and IEC 62061
- 1 2-channel safety relay output
- 2 NO, 1 NC
- Protection class IP20

Functional principle

Additional safety inputs and outputs as well as safety relay outputs can be connected to the expandable safety controller.

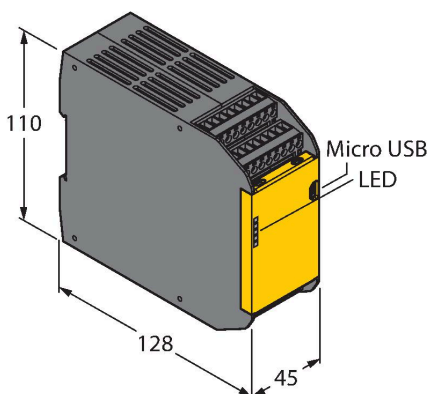
Up to eight extension modules can be added in any combination of inputs and outputs to a XS26-2xx expandable safety controller.

Technical data

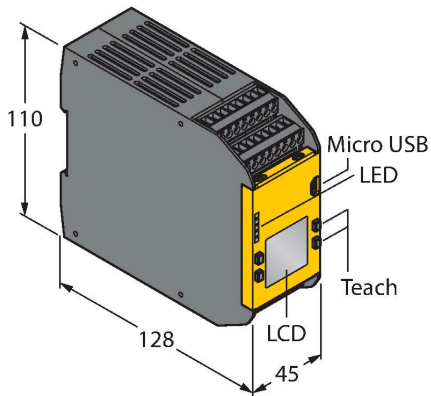
Type	XS1RO
ID	3085074
Function	Extension module
Design	Terminal chamber
Housing material	Plastic, PC, Black
Electrical connection	Removable terminal block, reverse polarity protected, screw connection
Ambient temperature	0...+55 °C
Relative humidity	0...90 %
Protection class	IP20
Tests/approvals	

Accessories

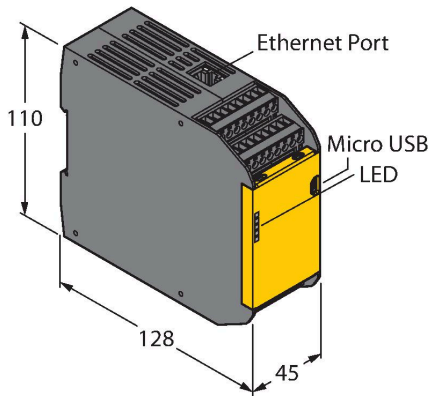
Dimension drawing	Type	ID	
	XS26-2	3085061	Expandable Programmable Safety Controller



Dimension drawing	Type	ID	
	XS26-2D	3085062	Expandable Programmable Safety Controller



	XS26-2E	3085063	Expandable Programmable Safety Controller
--	---------	---------	---



	XS26-2DE	3085064	Expandable Programmable Safety Controller
--	----------	---------	---

