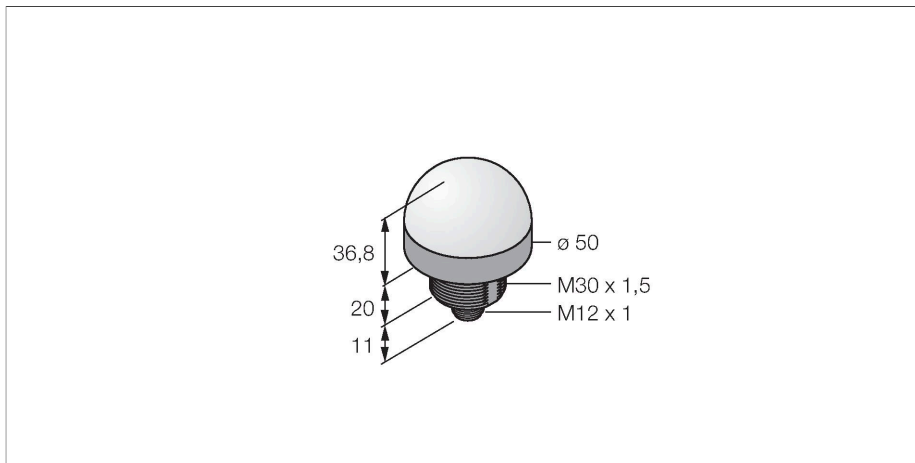


K50LNGRXPQ

LED Indicator – Beacon



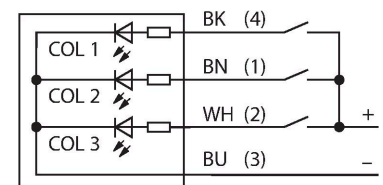
Technical data

Type	K50LNGRXPQ
ID	3087293
Signal and display data	
Purpose	LED indicator light
Function	Spotlight
Light type	Green Red
LED service life (L70)	50000 h
Dimmable	No
Features of color 1	Green, Permanently on
Features of color 2	Red
Special features	Wash down
Electrical data	
Operating voltage	10...30 VDC
DC rated operational current	≤ 40 mA
Max. current consumption per color	25 mA
Input type	PNP
Response time typical	< 1 ms
Mechanical data	
Cascadable	No
Design	Dome, K50L
Dimensions	Ø 50 x 69 mm
Housing material	Plastic, PC, Black
Window material	Polycarbonate, diffuse
Electrical connection	Connector, M12 × 1, PVC
Number of cores	4
Ambient temperature	-40...+50 °C

Features

- All-round LED display
- ATEX category II 3 G, Ex zone 2
- ATEX category II 3 D, Ex zone 22
- Individually controllable
- Mechanical screw-in thread M30 x 1.5
- Protection classes IP67 / IP69K
- Multicolor: Green (COL 1) / Red (COL 2)
- Male M12 x 1
- Operating voltage 10...30 VDC
- It is envisaged to control always only one color with the appropriate equipment
- ATEX II 3 G approval
- Gases and vapors, Group IIC, Zone 2
- ATEX II 3 D approval
- Dust, Group IIIC, Zone 22
- When used in hazardous areas, the special conditions of the approval must be observed

Wiring diagram



Technical data

Relative humidity	0...95 %
Protection class	IP67 IP69
Tests/approvals	
MTTF	249 years acc. to SN 29500 (Ed. 99) 40 °C
Approvals	CE, IECEx
Approvals	ATEX II 3 GD