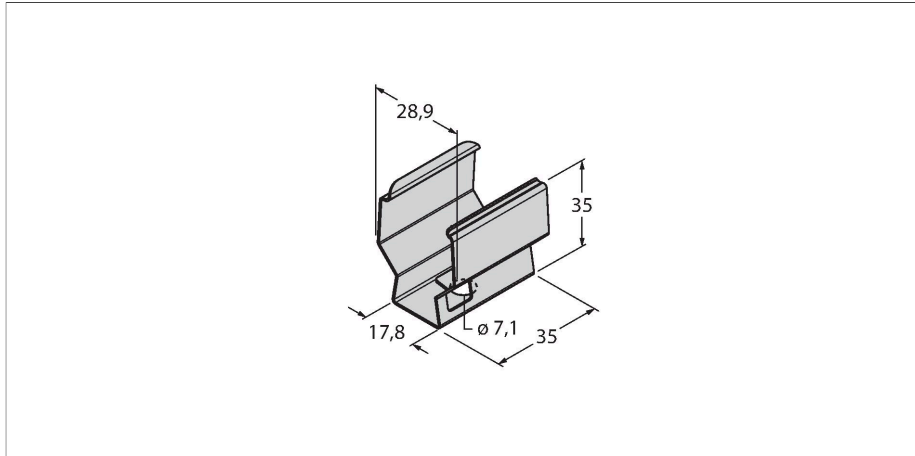


SMBWLS28SP

Accessories – Mounting Bracket



Features

- For work lights of the WLS28 series
- Stainless steel
- Kit with 2 snap-fit brackets

Technical data

Type	SMBWLS28SP
ID	3088063