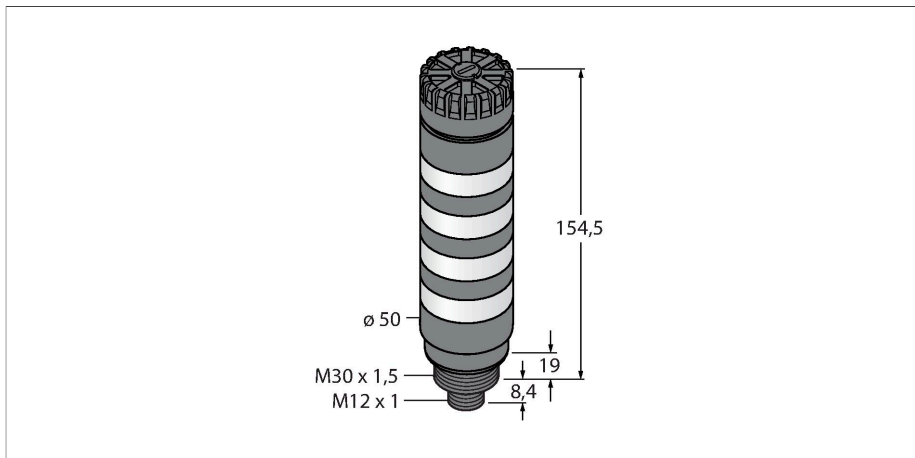


# TL50CBGYRAQ

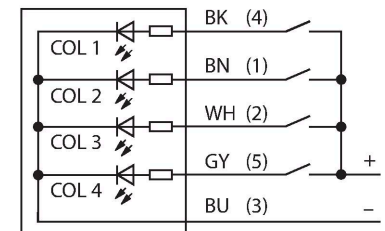
## LED Indicator – Compact Signal Tower



### Features

- Plastic housing, black
- EMI and RFI immune
- Protection class IP50
- M12 x 1 male
- Multicolor: Blue (COL 1) / Green (COL 2) / Yellow (COL 3) / Red (COL 4)
- Operating voltage: Operating voltage 12...30 VDC or 21...27 VAC with 135 mA per LED color
- Inputs: PNP/NPN
- Beeper max. 92 dB

### Wiring diagram



### Functional principle

The TL50C compact signal tower is a mixture of the TL50 Beacon and the TL50 high brightness models in a shorter design and ensures highly visible status indicators and a clear user guidance within the entire system. They can be assembled from varicolored LEDs and are available with or without beeper. You can mount them directly on machines, in the cabinet or in monitoring locations of production lines.

The wiring diagram shows a PNP pin assignment.

There are 10 colors available blue (B), green (G), red (R), yellow (Y), white (W), turquoise (T), orange (O), violet (V), sky blue (S) and magenta (M), which specify the light sequence from bottom to top in the type code of the tower light. Example: TL50CGYRQ indicates the colors green, yellow and red from bottom to top

### Technical data

Type	TL50CBGYRAQ
ID	3091349
<b>Signal and display data</b>	
Purpose	LED indicator light
Function	Tower light
Light type	Blue Green Yellow Red
Dimmable	No
Features of color 1	Blue, Permanently on, 4.5 lm
Features of color 2	Green, Permanently on, 27 lm
Features of color 3	Yellow, Permanently on, 6 lm
Features of color 4	Red, Permanently on, 9 lm
Acoustic signal	Continuous tone, 92 dB
<b>Electrical data</b>	
Operating voltage	12...30 VDC
DC rated operational current	≤ 540 mA
Operating voltage	21...27 VAC
Max. current consumption per color	135 mA
Max. current consumption of beeper	25 mA
Input type	Bipolar (PNP/NPN)
Response time typical	< 10 ms
<b>Mechanical data</b>	
Cascadable	No
Design	Smooth barrel, TL50C
Dimensions	Ø 50 x 181.9 mm
Housing material	Plastic, ABS, Black

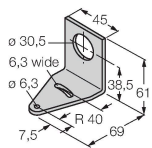
## Technical data

Window material	Polycarbonate, diffuse
Electrical connection	Connector, M12 × 1, PVC
Number of cores	8
Ambient temperature	-20...+50 °C
Relative humidity	0...95 %
Protection class	IP50
<b>Tests/approvals</b>	
Approvals	CE, UL listed

## Accessories

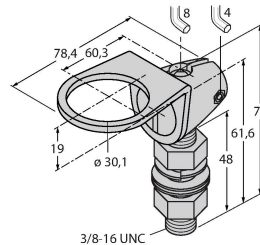
**SMB30A** 3032723

Mounting bracket, rectangular, stainless steel, for sensors with 30mm thread



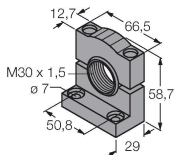
**SMB30FA** 3074005

Montagewinkel; Werkstoff VA 1.4401



**SMB30SC** 3052521

Mounting bracket, PBT black, for sensors with 30 mm thread, rotatable



## Accessories

Dimension drawing	Type	ID	
	RKC8T-2/TEL	6625130	Connection cable, M12 female connector, straight, 8-pin, cable length: 2 m, jacket material: PVC, black; cULus approval
	WKC8T-2/TEL	6625133	Connection cable, M12 female connector, angled, 8-pin, cable length: 2 m, jacket material: PVC, black; cULus approval