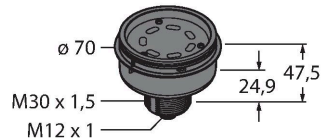


B-TL70-Q8

LED Indicator – Modular Signal Tower Base Module



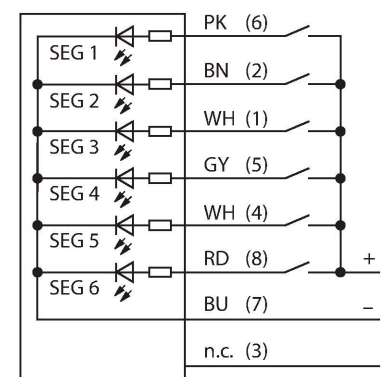
Technical data

Type	B-TL70-Q8
ID	3092227
Signal and display data	
Purpose	LED indicator light
Function	Tower light
Dimmable	No
Electrical data	
Operating voltage	12...30 VDC
Max. current consumption per color	420 mA
Input type	Bipolar (PNP/NPN)
Response time typical	< 180 ms
Mechanical data	
Cascadable	No
Design	Smooth barrel, TL70
Dimensions	Ø 70 x 47.5 mm
Housing material	Plastic, PC, Black
Electrical connection	Connector, M12 × 1, PVC
Number of cores	8
Ambient temperature	-40...+50 °C
Relative humidity	0...95 %
Protection class	IP65
Tests/approvals	
Approvals	CE, UL listed

Features

- Plastic housing, black
- Protection class IP65
- EMI and RFI immune
- M12 x 1 male, 8-pin
- End element included in the delivery
- Operating voltage: 12...30 VDC
- Inputs: PNP/NPN
- Configuration via DIP switch

Wiring diagram



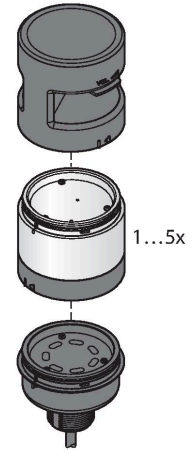
Functional principle

The rugged multifunction tower lights are available in many variations and are easily mounted. Each tower can be assembled of up to five color segments and, optionally, a beeper. All segments are configurable via DIP switches.

5 colors are available, blue (B), green (G), red (R), yellow (Y) and white (W), which can be used in any combination.

The arrangement of the segments can be modified subsequently and also more

segments can be added. Via the basic module the respective port is selected. The wiring diagram shows a PNP pin assignment.

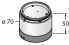
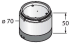
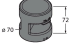


Accessories

Dimension drawing	Type	ID	
	RKC8T-2/TEL	6625130	Connection cable, M12 female connector, straight, 8-pin, cable length: 2 m, jacket material: PVC, black; cULus approval
	WKC8T-2/TEL	6625133	Connection cable, M12 female connector, angled, 8-pin, cable length: 2 m, jacket material: PVC, black; cULus approval

Accessories

Dimension drawing	Type	ID	
	SG-TL70-G	3092211	TL70 color segment, color: Green
	SG-TL70-Y	3092212	TL70 color segment, color: Yellow
	SG-TL70-R	3092213	TL70 color segment, color: Red

Dimension drawing	Type	ID	
	SG-TL70-B	3092214	TL70 color segment, color: Blue
	SG-TL70-W	3092215	TL70 color segment, color: White
	SG-TL70-A	3092221	TL70 audio segment, black