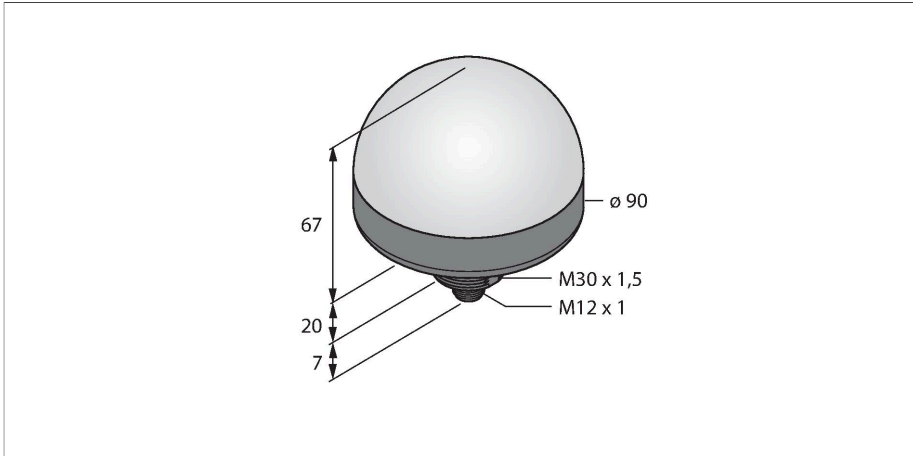


K90TLWBGYRPQ

LED Indicator – Beacon



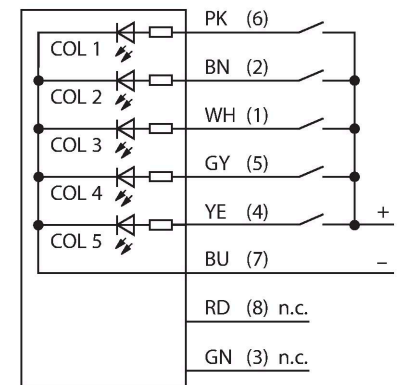
Technical data

Type	K90TLWBGYRPQ
ID	3092836
Signal and display data	
Purpose	LED indicator light
Function	Spotlight
Light type	White Blue Green Yellow Red
LED service life (L70)	50000 h
Dimmable	No
Features of color 1	White, Permanently on, 200 lm
Features of color 2	Blue, 55 lm
Features of color 3	Green, 150 lm
Features of color 4	Yellow, 35 lm
Features of color 5	Red, 65 lm
Electrical data	
Operating voltage	12...30 VDC
Max. current consumption per color	475 mA
Input power	5.7 W
Input type	PNP
Response time typical	< 150 ms
Mechanical data	
Cascadable	No
Design	Dome, K90L
Dimensions	Ø 90 x 87 mm
Housing material	Plastic, PC

Features

- All-round LED display
- Protection class IP67
- Mechanical screw-in thread M30 x 1.5
- M12 x 1 male, 8-pin
- Colors: White (COL 1), Blue (COL 2), Green (COL 3), Yellow (COL 4), Red (COL 5)
- Alternates between colors when multiple inputs are active
- Operating voltage: 12...30 VDC
- Individually controllable
- Inputs: PNP

Wiring diagram



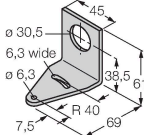
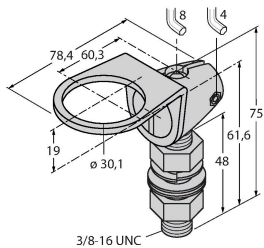
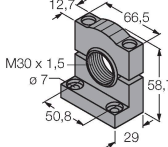
Functional principle

The LED display is suitable for industrial use thanks to its rugged design in protection class IP67. The LED display is on during the input signal period. Only a color at any time lights up. The simultaneous control of several colors provides for a cyclic change of colors.

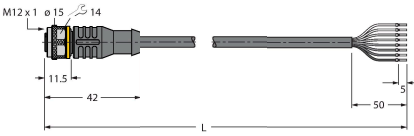
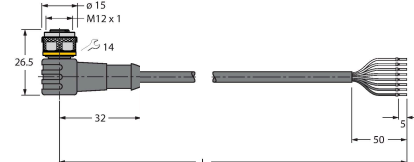
Technical data

Window material	Polycarbonate, diffuse
Electrical connection	Connector, M12 × 1, PVC
Number of cores	8
Ambient temperature	-40...+50 °C
Protection class	IP67
Tests/approvals	
Approvals	CE, UL listed

Accessories

<p>SMB30A</p> <p>3032723</p> <p>Mounting bracket, rectangular, stainless steel, for sensors with 30mm thread</p> 	<p>SMB30FA</p> <p>3074005</p> <p>Montagewinkel; Werkstoff VA 1.4401</p> 
<p>SMB30SC</p> <p>3052521</p> <p>Mounting bracket, PBT black, for sensors with 30 mm thread, rotatable</p> 	

Accessories

Dimension drawing	Type	ID	
	<p>RKC8T-2/TEL</p>	<p>6625130</p>	<p>Connection cable, M12 female connector, straight, 8-pin, cable length: 2 m, jacket material: PVC, black; cULus approval</p>
	<p>WKC8T-2/TEL</p>	<p>6625133</p>	<p>Connection cable, M12 female connector, angled, 8-pin, cable length: 2 m, jacket material: PVC, black; cULus approval</p>