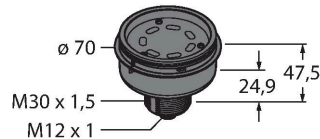


# B-TL70DXN2-Q8C

## LED Indicator – Modular Signal Tower Base Module with Integrated Wireless Receiver



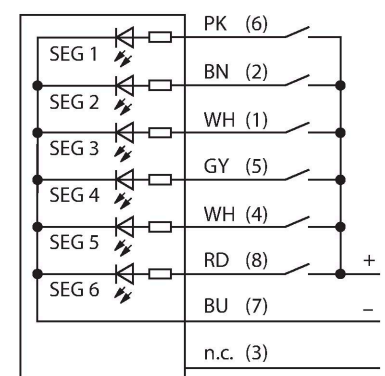
### Technical data

|                                    |                         |
|------------------------------------|-------------------------|
| Type                               | B-TL70DXN2-Q8C          |
| ID                                 | 3094224                 |
| <b>Signal and display data</b>     |                         |
| Purpose                            | LED indicator light     |
| Function                           | Tower light             |
| Dimmable                           | No                      |
| <b>Electrical data</b>             |                         |
| Operating voltage                  | 12...30 VDC             |
| Max. current consumption per color | 420 mA                  |
| Input type                         | PNP                     |
| Response time typical              | < 180 ms                |
| <b>Mechanical data</b>             |                         |
| Cascadable                         | No                      |
| Design                             | Smooth barrel, TL70     |
| Dimensions                         | Ø 70 x 47.5 mm          |
| Housing material                   | Plastic, PC, Grey       |
| Electrical connection              | Connector, M12 × 1, PVC |
| Number of cores                    | 8                       |
| Ambient temperature                | -40...+50 °C            |
| Relative humidity                  | 0...95 %                |
| Protection class                   | IP65                    |
| <b>Tests/approvals</b>             |                         |
| Approvals                          | CE, UL listed           |

### Features

- Plastic housing, gray
- Protection class IP65
- Protection against electromagnetic and high-frequency interference
- M12 × 1 male connector, 8-pin
- End element included in the delivery
- Operating voltage: 12...30 VDC
- Integrated radio module
- DX80-compatible node
- Configuration via DIP switch

### Wiring diagram

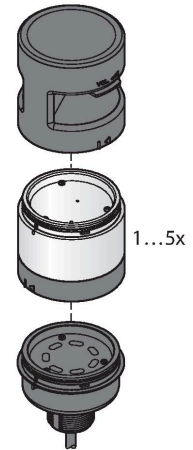


### Functional principle

The rugged multifunction tower lights are available in many variations and are easily mounted. Each tower can be assembled of up to five color segments and, optionally, a beeper. All segments are configurable via DIP switches.

5 colors are available, blue (B), green (G), red (R), yellow (Y) and white (W), which can be used in any combination.

The arrangement of the segments can be modified subsequently and also more segments can be added. Via the basic module the respective port is selected. The wiring diagram shows a PNP pin assignment.

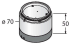
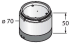
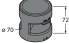


## Accessories

| Dimension drawing | Type        | ID      |   |
|-------------------|-------------|---------|---|
|                   | RKC8T-2/TEL | 6625130 | Connection cable, M12 female connector, straight, 8-pin, cable length: 2 m, jacket material: PVC, black; cULus approval |
|                   | WKC8T-2/TEL | 6625133 | Connection cable, M12 female connector, angled, 8-pin, cable length: 2 m, jacket material: PVC, black; cULus approval   |

## Accessories

| Dimension drawing | Type      | ID      |                                   |
|-------------------|-----------|---------|-----------------------------------|
|                   | SG-TL70-G | 3092211 | TL70 color segment, color: Green  |
|                   | SG-TL70-Y | 3092212 | TL70 color segment, color: Yellow |
|                   | SG-TL70-R | 3092213 | TL70 color segment, color: Red    |

| Dimension drawing   | Type      | ID      |                                  |
|---|-----------|---------|----------------------------------|
|  | SG-TL70-B | 3092214 | TL70 color segment, color: Blue  |
|  | SG-TL70-W | 3092215 | TL70 color segment, color: White |
|  | SG-TL70-A | 3092221 | TL70 audio segment, black        |