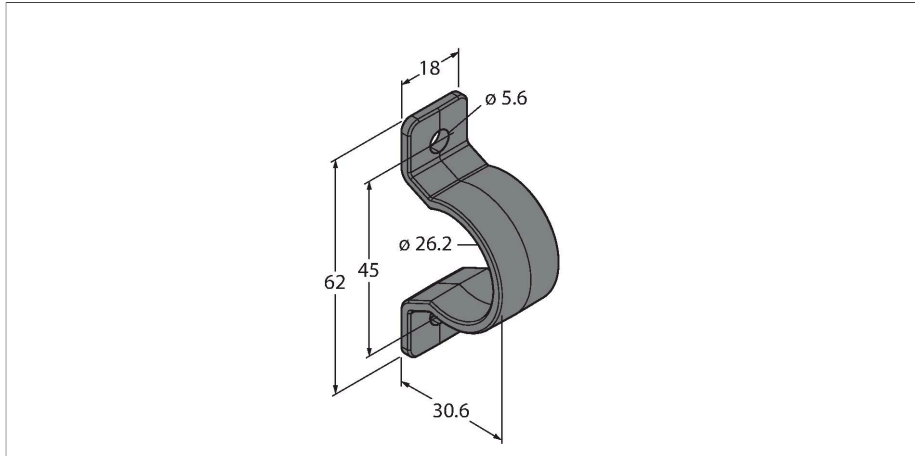


# LMBWLS27EC

## Accessories – Mounting Bracket



### Features

- Mounting accessories for WLS27 linear lights
- Snap bracket for WLS27 linear light
- Material: Polycarbonate
- 2 x 5.5 mm drill holes for fastening
- Contains: 2 x snap brackets

### Technical data

Type	LMBWLS27EC
ID	3094774