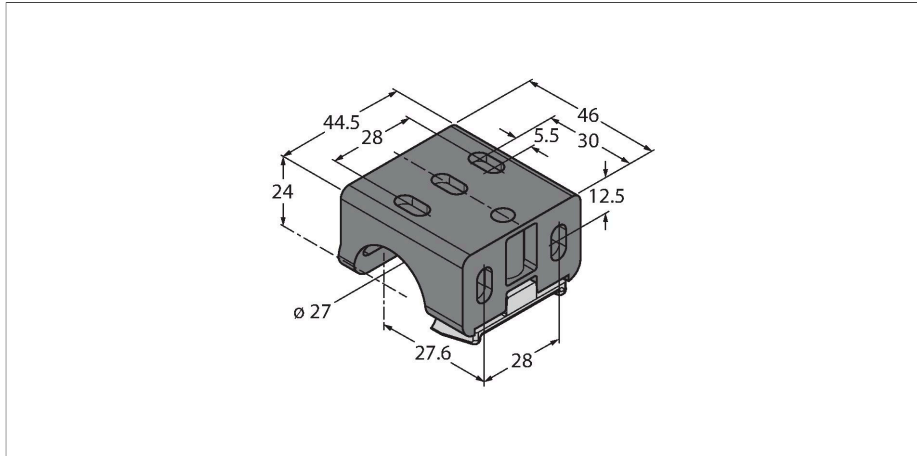


# LMBWLS27U

## Accessories – Mounting Bracket



### Features

- Mounting accessories for WLS27 linear lights
- Universal mounting bracket for WLS27 linear light
- Material: Polycarbonate
- 5 x 5.5 mm drill holes for fastening
- Contains: 1 x snap brackets

### Technical data

Type	LMBWLS27U
ID	3094775