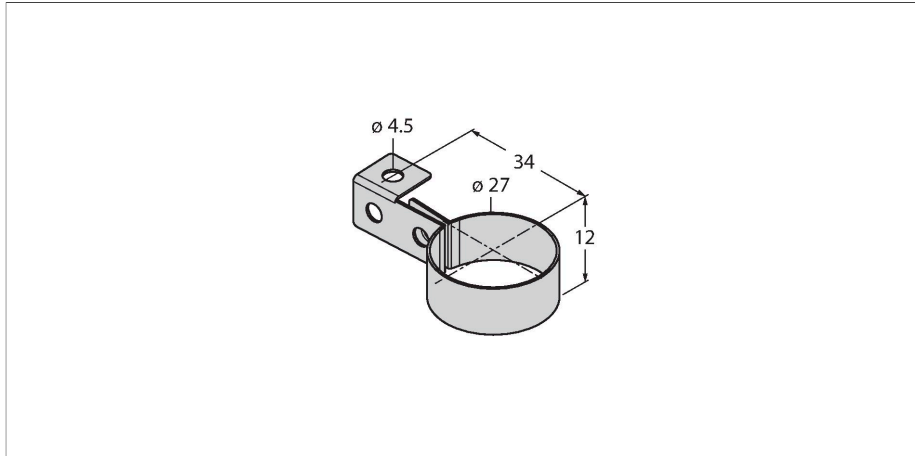


# LMBWLS27H

## Accessories – Mounting Bracket



### Features

- Mounting accessories for WLS27 linear lights
- Hanging bracket for WLS27 linear light
- Material: stainless steel
- 4 x 4.5 mm drill holes for fastening
- Contains: 2 x hanging brackets

### Technical data

Type	LMBWLS27H
ID	3094776