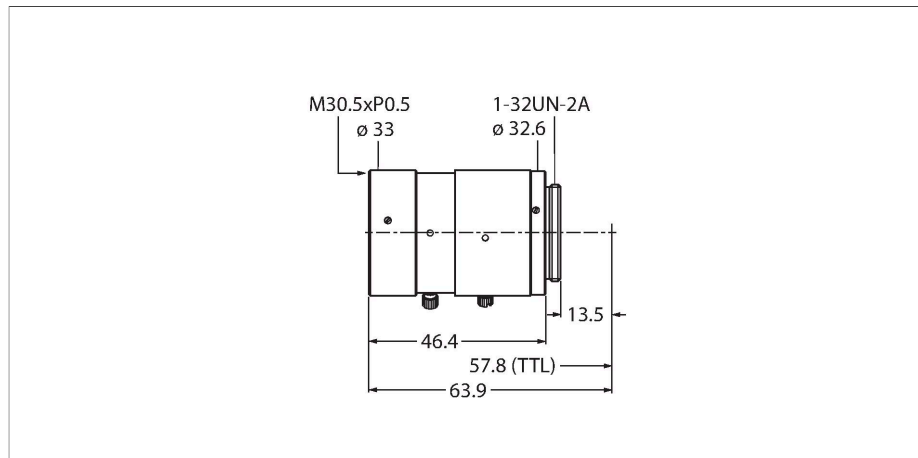


# LCF50LEVMP

## Vision Systems – C-mount Lens



### Features

- With focus and iris lock
- For VE Smart Camera
- Focal distance 50 mm
- Minimum operating distance: 336 mm
- Minimum view field: 37 × 28 mm
- Format: 2/3"

### Technical data

Type	LCF50LEVMP
ID	3097351
Resolution	1600 x 1200 Pixels
Lens format	2 3
Minimum opening size	2,6 Megapixels
Brennweite	50 mm
Special features	Adjustable orifice Adjustable focus Closing orifice Fixed focus

### Accessories

Dimension drawing	Type	ID	
Kein Maßbild vorhanden/ No dimension drawing available	FLTPR032-27	3084797	Polarization filter, 27 mm diameter suitable for LCFxxLEVMP lenses
Kein Maßbild vorhanden/ No dimension drawing available	FLT1850-27	3097532	Bandpass filter infrared, 27 mm diameter suitable for LCFxxLEVMP lenses
Kein Maßbild vorhanden/ No dimension drawing available	FLTR660-27	3097531	Bandpass filter dark red, 27 mm diameter suitable for LCFxxLEVMP lenses
Kein Maßbild vorhanden/ No dimension drawing available	FLTR635-27	3097530	Bandpass filter red, 27 mm diameter suitable for LCFxxLEVMP lenses
Kein Maßbild vorhanden/ No dimension drawing available	FLTG525-27	3097529	Bandpass filter green, 27 mm diameter suitable for LCFxxLEVMP lenses