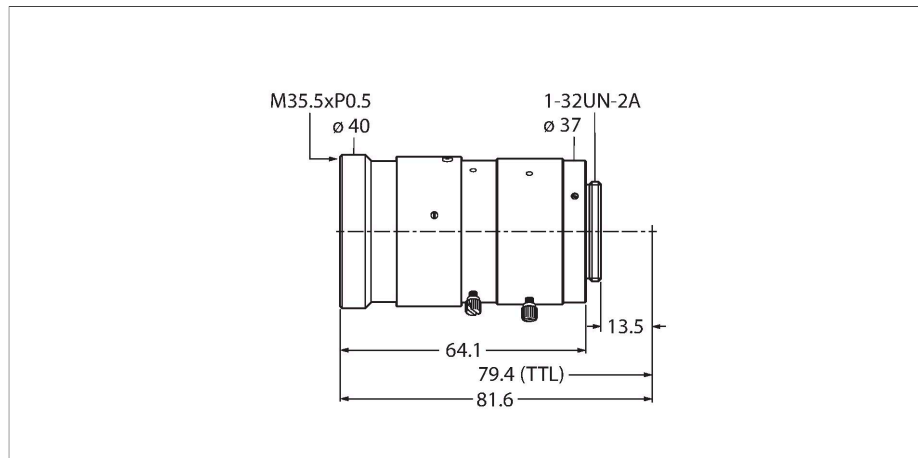


LCF75LEVMP

Vision Systems – C-mount Lens



Features

- With focus and iris lock
- For VE Smart Camera
- Focal distance 75 mm
- Minimum operating distance: 594 mm
- Minimum view field: 46 × 35 mm
- Format: 1"

Technical data

Type	LCF75LEVMP
ID	3097352
Resolution	1600 x 1200 Pixels
Lens format	1
Minimum opening size	2,8 Megapixels
Brennweite	75 mm
Special features	Adjustable orifice Adjustable focus Closing orifice Fixed focus

Accessories

Dimension drawing	Type	ID	
Kein Maßbild vorhanden/ No dimension drawing available	FLTPR032-27	3084797	Polarization filter, 27 mm diameter suitable for LCFxxLEVMP lenses
Kein Maßbild vorhanden/ No dimension drawing available	FLTl850-27	3097532	Bandpass filter infrared, 27 mm diameter suitable for LCFxxLEVMP lenses
Kein Maßbild vorhanden/ No dimension drawing available	FLTR660-27	3097531	Bandpass filter dark red, 27 mm diameter suitable for LCFxxLEVMP lenses
Kein Maßbild vorhanden/ No dimension drawing available	FLTR635-27	3097530	Bandpass filter red, 27 mm diameter suitable for LCFxxLEVMP lenses
Kein Maßbild vorhanden/ No dimension drawing available	FLTG525-27	3097529	Bandpass filter green, 27 mm diameter suitable for LCFxxLEVMP lenses