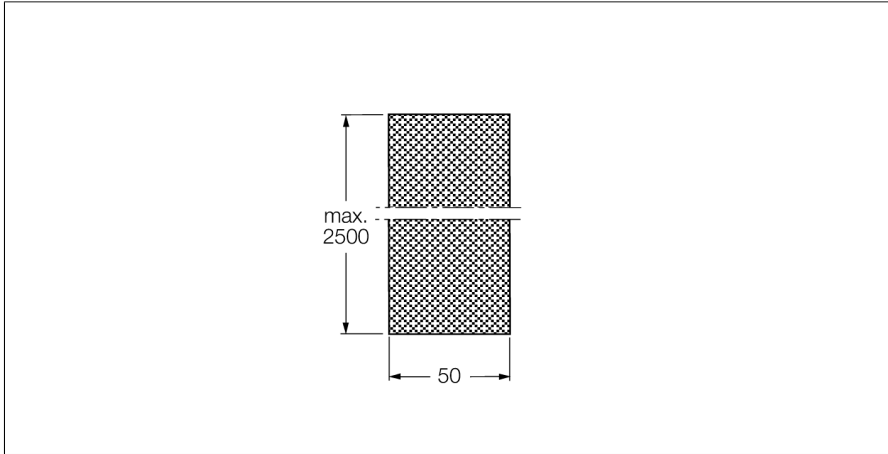


Accessories

Reflektorband

BRF50H (1M)



- Rectangular
- Reflective area 1
- Reflection coefficient 0.7
- Values for reflector length 100 mm (reference BRT-3)
- Reflector foil, self-adhesive, cuttable
- 50 mm width
- Pieces of 1 m length

Functional principle

Retro-reflective sensors incorporate emitter and receiver in a single compact housing. The light beam of the emitter is directed towards a reflector which returns the light back to the receiver. An object is detected when it interrupts this beam. Retro-reflective sensors have a high function gain and good contrast performance. Further it is merely required to install and wire a single device.

Type	BRF50H (1M)
ID	3721000
Design	Reflective tape
Lens	epoxy resin