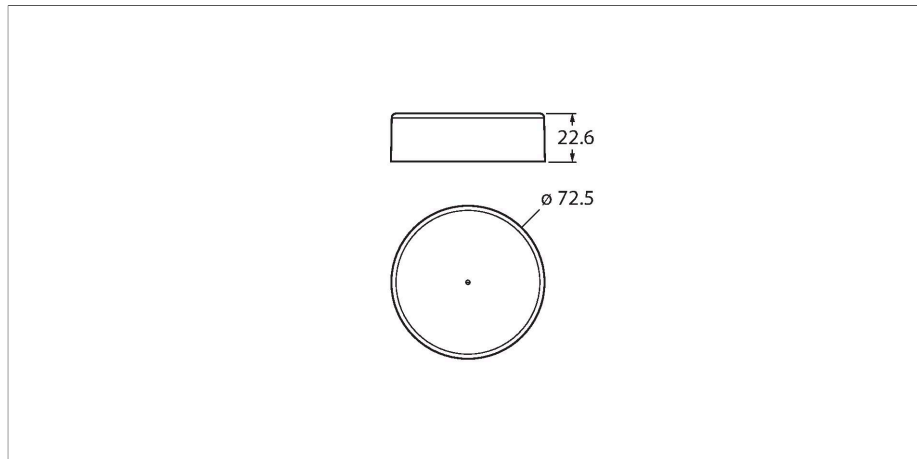


DX80N2X1W0P0ZTA

Radio Transmission System – Star Topology

Node (FlexPower) with Magnetic Field Sensor



Features

- Internal antenna
- Configuration via software or infrared interface
- Deterministic data transmission
- Frequency hopping FHSS
- Time Division Multiplex Access (TDMA)
- Transmission power: 63 mW, 18 dBm conducted, ≤ 20 dBm EIRP
- Inputs: 1 × integrated magnetic field sensor
- Internal battery, 3 × 3.6 V Li-ion AA cells

Functional principle

The DX80 system forms a radio-based network for wireless, bidirectional transfer of sensor signals in a star topology. It consists of a gateway that transmits the I/O signals to the controller and to as many as 47 nodes. The nodes with integrated 3-axis magnetic field sensors are normally powered by integrated batteries and notify the gateway if a metallic object appears in the detection range. An infrared control is required to perform settings, depending on the variant. Depending on the type of gateway used, simultaneous transfer of different measured and switching values is possible, as well as communication via the RS485 interface.

Conformity:

FCC-ID UE300DX80-2400. This device complies with FCC para. 15, subpara. C, 15.247

ETSI/EN: In compliance with EN 300 328: V1.8.1 (2014-04)

IC: 7044A-DX8024

Radiation protection 10 V/m for 80-2700 MHz acc. to EN 61000-6-2

Shock and vibration resistant: IEC 68-2-6 and IEC 68-2-7

Technical data

Type	DX80N2X1W0P0ZTA
ID	3800196
Wireless data	
Type of radio	short-range
Installation	stationary
Topology	Star topology
Function	Star topology
Device type	Node
Frequency band	2.4-GHz ISM band
Frequency range	2.402 - 2.483 GHz
Number of radio channels	50
Channel width	1 MHz
Spread spectrum technology	FHSS (Frequency Hopping Spread Spectrum)
Single-Carrier Residence Time	7.8 ms
Response time typical	< 1000 ms
Output power ERP	18 dB/65 mW
Output power EIRP	20 dB/100 mW
Range	3200000 mm
I/O data	
Number of channels	1
Input type	Magnetic field sensor
Electrical data	
runs with battery	ja
Operating voltage	3.6...5.5 VDC
Power-on indication	LED, Green

Technical data

Mechanical data	
Design	Cylindrical/Smooth, DX80
Dimensions	Ø 72.5 x 22.6 mm
Housing material	Plastic, ABS
Antenna connection	Internal (wire loop)
Ambient temperature	-40...+85 °C
Relative humidity	0...95 %
Protection class	IP67
Tests/approvals	

Accessories

BWA-MGFOB-001	3018965
Optical commissioning LED for wireless magnetic field sensors for starting the connection procedure	