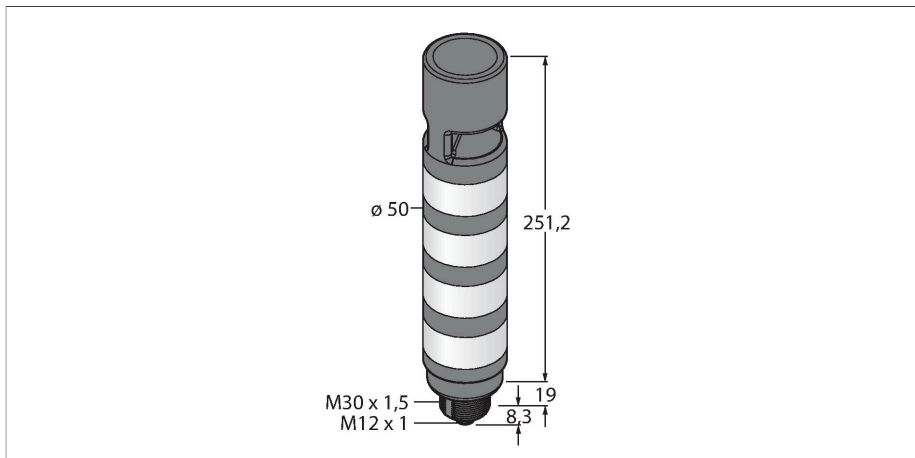


TL50BGYRAOSIKQ

LED Indicator – Tower Light



Technical data

Type	TL50BGYRAOSIKQ
ID	3801294
Signal and display data	
Purpose	LED indicator light
Function	Tower light
Light type	Blue Green Yellow Red
Dimmable	No
Features of color 1	Blue, Programmable, 8 lm
Features of color 2	Green, Can be set via IO-Link, 31 lm
Features of color 3	Yellow, Can be set via IO-Link, 32 lm
Features of color 4	Red, Can be set via IO-Link, 13 lm
Acoustic signal	Continuous tone with adjustable intensity, 95 dB
Electrical data	
Operating voltage	18...30 VDC
DC rated operational current	≤ 45 mA
Operating voltage	21...27 VAC
Max. current consumption per color	70 mA
Max. current consumption of beeper	70 mA
Communication protocol	IO-Link
Input type	Communication protocol
Response time typical	< 10 ms
IO-Link	
IO-Link specification	V 1.1
Communication mode	COM 2 (38.4 kBaud)

Features

- Plastic housing, black
- EMI and RFI immune
- Protection class IP67
- M12 x 1 male
- Colors: Blue (COL 1) / Green (COL 2) / Yellow (COL 3) / Red (COL 4)
- Parameterizable via IO-Link
- Beeper: Omnidirectional, sealed, continuous tone with adjustable intensity max. 95 dB

Wiring diagram



Functional principle

The TL50 tower lights provide highly visible status indicators and a clear user guidance within the entire system. They can be assembled from varicolored LEDs and are available with or without beeper. You can mount them directly on machines, in the cabinet or in locations to be monitored within the production lines.


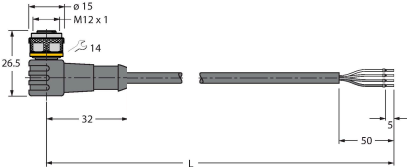
The wiring diagram shows a PNP pin assignment.

There are 10 colors available blue (B), green (G), red (R), yellow (Y), white (W), turquoise (T), orange (O), violet (V), sky blue (S) and magenta (M), which specify the light sequence from bottom to top in the type code of the tower light. Example: TL50GYRQ, colors green, yellow and red arranged from bottom to top.

Technical data

Process data width	16 bit
Frame type	Type_2_2
Function pin 4	IO-Link
Maximum cable length	20 m
Included in the SIDI GSDML	Yes
Mechanical data	
Cascadable	No
Design	Smooth barrel, TL50
Dimensions	Ø 50 x 278.7 mm
Housing material	Plastic, ABS, Black
Window material	Polycarbonate, diffuse
Electrical connection	Connector, M12 × 1, PVC
Number of cores	4
Ambient temperature	-20...+50 °C
Relative humidity	0...95 %
Protection class	IP67
Tests/approvals	
Approvals	CE, UL listed

Accessories

Dimension drawing	Type	ID	
	RKC4.4T-2/TEL	6625013	Connection cable, M12 female connector, straight, 4-pin, cable length: 2 m, jacket material: PVC, black; cULus approval
	WKC4.4T-2/TEL	6625025	Connection cable, M12 female connector, angled, 4-pin, cable length: 2 m, jacket material: PVC, black; cULus approval