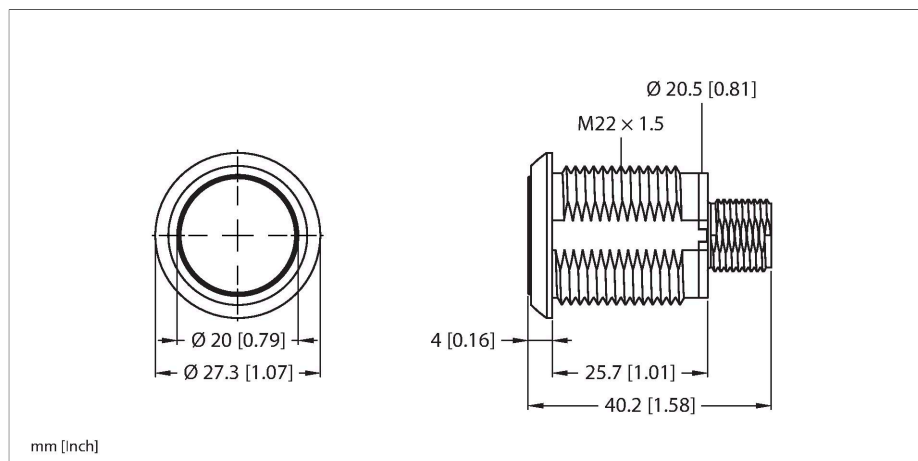


S22AMTSGREQ

Pick-to-Light – Placement Sensor

Capacitive Sensor



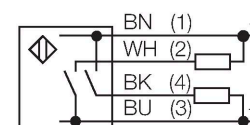
Technical data

Type	S22AMTSGREQ
ID	3804312
Signal and display data	
Purpose	Pick-to-Light
Function	Touch Button
Light type	Green Red
Switch Function	Momentary
Features of color 1	Green, Permanently on, 0.18 lm
Features of color 2	Red, 0.08 lm
Features of color 3	Yellow, 36.4 lm
Features of color 4	Blue, 9 lm
Features of color 5	White, 30.9 lm
Features of color 6	Turquoise, 31.8 lm
Features of color 7	Magenta, 19.1 lm
Special features	I/O module-compatible Wash down
Electrical data	
Max. current consumption per color	80 mA
Output function	NO contact, PNP/NPN
Input type	Bipolar (PNP/NPN)
Response time typical	< 300 ms
Mechanical data	
Design	Threaded barrel
Dimensions	Ø 27.3 x 40.2 mm
Housing material	Plastic, PC, Black

Features

- Protection class IP67/IP69K
- M12 × 1 male connector, 5-pin
- Job light: green
- Misspick: red
- Actuation: not signalled
- Operating voltage 10...30 VDC
- Bipolar switching function
- NO contact

Wiring diagram



Functional principle

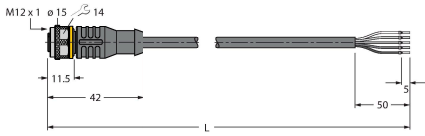
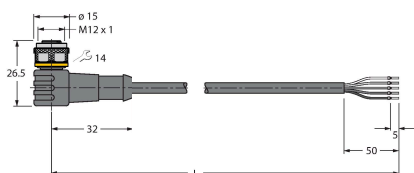
The S22 pick-and-place sensor is suitable for many mounting and component placement applications. The device has RGB LEDs and, depending on the version, between one and seven display colors that are activated depending on the input. The display colors for each input can be individually configured using the Pro Editor software. It is also possible to configure the pick-and-place sensor as NO or NC, with or without holding function. The major advantage of these LEDs is the color fidelity and luminance. Compared to their predecessors, a large number of variants can be produced with just a single light.

Technical data

Window material	Polycarbonate, diffuse
Electrical connection	Connector, M12 × 1, PVC
Number of cores	5
Ambient temperature	-40...+50 °C
Relative humidity	0...90 %
Protection class	IP66 IP67 IP69

Tests/approvals

Accessories

Dimension drawing	Type	ID	
	RKC4.5T-2/TEL	6625016	Connection cable, M12 female connector, straight, 5-pin, cable length: 2 m, jacket material: PVC, black; cULus approval
	WKC4.5T-2/TEL	6625028	Connection cable, M12 female connector, angled, 5-pin, cable length: 2 m, jacket material: PVC, black; cULus approval