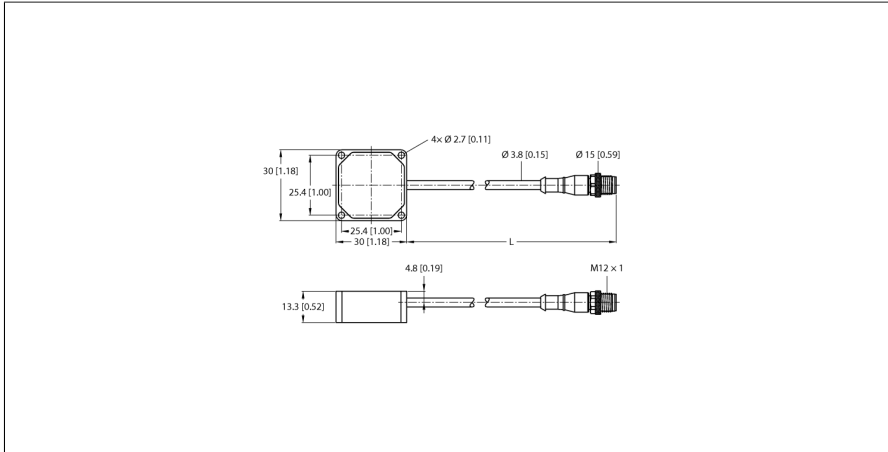


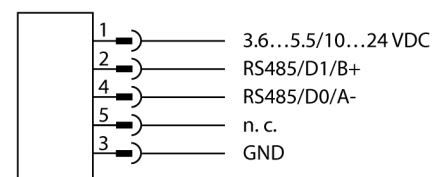
# Vibration & Temperature Sensor With Serial Interface Modbus RTU QM30VT2



|                         |                                       |
|-------------------------|---------------------------------------|
| Type                    | QM30VT2                               |
| ID                      | 3806276                               |
| <b>Wireless data</b>    |                                       |
| Function                | Vibration sensor                      |
| Device type             | Sensor                                |
| <b>I/O data</b>         |                                       |
| Communication protocol  | Modbus RTU<br>RS485                   |
| <b>Electrical data</b>  |                                       |
| Operating voltage $U_s$ | 10...24 VDC                           |
| <b>Mechanical data</b>  |                                       |
| Design                  | Rectangular, QM30VT                   |
| Housing material        | Aluminium, AL, Black-finished         |
| Electrical connection   | Cable with connector, M12 × 1, 2.09 m |
| Antenna connection      | No radio participant                  |
| Ambient temperature     | -40...+105 °C                         |
| Protection class        | IP67                                  |
| <b>Tests/approvals</b>  |                                       |

- For detecting temperature and vibration values
- Robust aluminum housing
- Protection class IP67
- PVC cable, 2.09 m, with M12 × 1 male connector, 5-pin
- Shock resistant up to 400 g
- BWA-BK-022 mounting plate kit included in delivery
- Temperature measuring range: -40... 105 °C
- Resolution: 1 °C
- Accuracy: ± 3 °C
- Vibration measuring range: 0...46 mm/s RMS
- Frequency range: 10...4000 Hz
- Accuracy: ± 10 % at 25 °C
- Operating voltage: 10...24 VDC or 3.6... 5.5 VDC
- RS485 interface, supports Modbus RTU

## Wiring Diagram



## Functional principle

This sturdy sensor in a metal housing was developed to monitor vibrations and the temperature of moving machine parts. The data can be transferred to a controller via the RS485 in-

terface, thus enabling an imminent failure of the machine to be identified at an early stage and corrective action to be taken. The rugged housing is IP67-rated and allows the detection of vibrations on two axes. The sensor can be mounted or stuck on the machine with the relevant accessories.

## Accessories

| Type code  | Ident no. |  | Dimension drawing |
|------------|-----------|--|-------------------|
| BWA-BK-022 | 3810633   | Mounting plate kit for QM30VT sensors, aluminum, screw set and self-adhesive foil included |                   |

## Function accessories

| Type code  | Ident no. |   | Dimension drawing |
|------------|-----------|---|-------------------|
| BWA-HW-006 | 3081325   | Converter cable, RS485 to USB 2.0 converter, female connector, M12 × 1, 5-pin, male connector, USB type A, length 1 m; supplies the connected device with 10 V. An external power supply via a Y-splitter (6634679) is recommended for the connected device |                   |