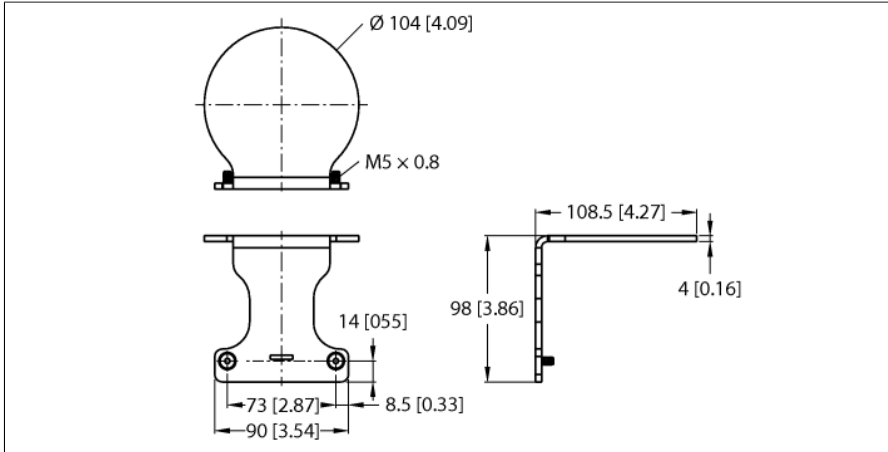


Safety Technology Protective Housing For Safety Laser Scanners SXA-MBK-2



■ Protection angle

Type	SXA-MBK-2
ID	3806732