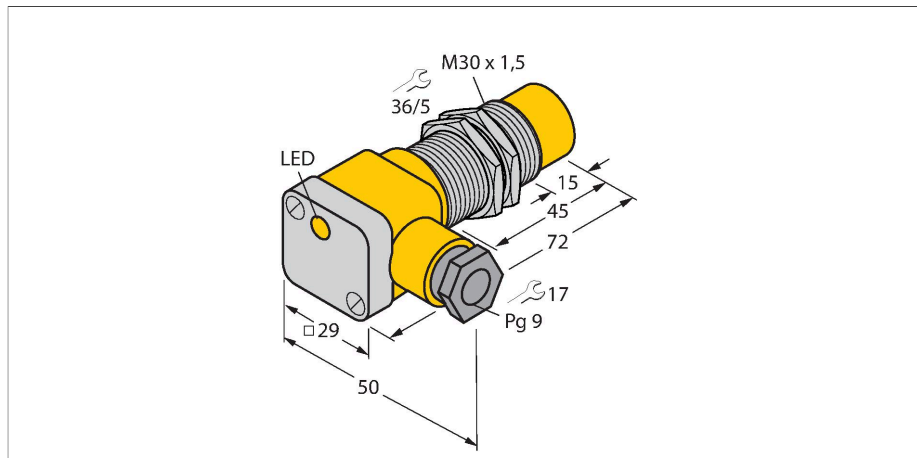


NI15-G30SK-Y1X

Inductive Sensor



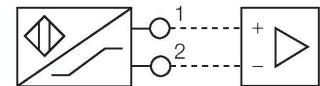
Features

- Threaded barrel, M30 x 1.5
- Short version
- Chrome-plated brass
- DC 2-wire, nom. 8.2 VDC
- Output acc. to DIN EN 60947-5-6 (NAMUR)
- Terminal chamber
- ATEX category II 1 G, Ex zone 0
- ATEX category II 1 D, Ex zone 20
- SIL2 (Low Demand Mode) acc. to IEC 61508, PL c acc. to ISO 13849-1 with HFT0
- SIL3 (All Demand Mode) acc. to IEC 61508, PL e acc. to ISO 13849-1 with redundant configuration HFT1

Technical data

| | |
|---|---|
| Type | NI15-G30SK-Y1X |
| ID | 40221 |
| General data | |
| Rated switching distance | 15 mm |
| Mounting conditions | Non-flush |
| Secured operating distance | $\leq (0.81 \times S_n)$ mm |
| Correction factors | St37 = 1; Al = 0.3; stainless steel = 0.7; Ms = 0.4 |
| Repeat accuracy | $\leq 2\%$ of full scale |
| Temperature drift | $\leq \pm 10\%$ |
| Hysteresis | 1...10 % |
| Electrical data | |
| Output function | 2-wire, NAMUR |
| Switching frequency | 0.2 kHz |
| Voltage | Nom. 8.2 VDC |
| Non-actuated current consumption | ≥ 2.1 mA |
| Actuated current consumption | ≤ 1.2 mA |
| Approval acc. to | KEMA 02 ATEX 1090X |
| Internal capacitance (C _i)/inductance (L _i) | 150 nF/150 μ H |
| Device marking | Ex II 1 G Ex ia IIC T6 Ga/II 1 D Ex ia IIIC T135 °C Da (max. U _i = 20 V, I _i = 20 mA, P _i = 200 mW) |
| Mechanical data | |
| Design | Threaded barrel, M30 x 1.5 |
| Dimensions | 72 mm |
| Housing material | Metal, CuZn, Chrome-plated |
| Terminal chamber cover material | plastic, Ultem |
| Terminal chamber housing material | plastic, PA12-GF30 |

Wiring diagram



Functional principle

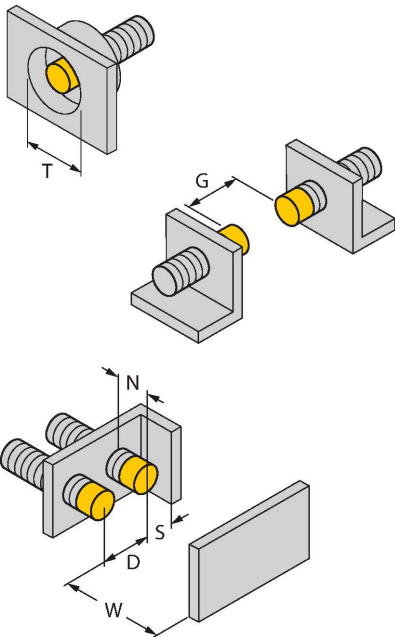
Inductive sensors detect metal objects contactless and wear-free. For this, they use a high-frequency electromagnetic AC field that interacts with the target. Inductive sensors generate this field via an RLC circuit with a ferrite coil.

Technical data

| | |
|---------------------------------------|--|
| Active area material | Plastic, PA12-GF30 |
| Max. tightening torque of housing nut | 75 Nm |
| Electrical connection | Terminal chamber |
| Clamping ability | ≤ 2.5 mm ² |
| Cable external diameter | 4.5...8 mm |
| Environmental conditions | |
| Ambient temperature | -25...+70 °C |
| Vibration resistance | 55 Hz (1 mm) |
| Shock resistance | 30 g (11 ms) |
| Protection class | IP67 |
| MTTF | 6198 years acc. to SN 29500 (Ed. 99) 40 °C |
| Switching state | LED, Yellow |
| Included in delivery | cable gland; 2x plastic seals |

Mounting instructions

Mounting instructions/Description



| | |
|------------|-------|
| Distance D | 3 x B |
|------------|-------|

| | |
|------------|--------|
| Distance W | 3 x Sn |
|------------|--------|

| | |
|------------|-------|
| Distance T | 3 x B |
|------------|-------|

| | |
|------------|---------|
| Distance S | 1.5 x B |
|------------|---------|

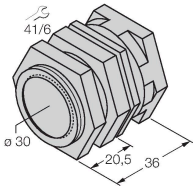
| | |
|------------|--------|
| Distance G | 6 x Sn |
|------------|--------|

| | |
|------------|-------|
| Distance N | 20 mm |
|------------|-------|

| | |
|------------------------|---------|
| Diameter active area B | Ø 30 mm |
|------------------------|---------|

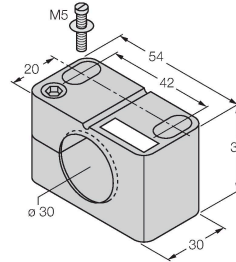
Accessories

QM-30 6945103



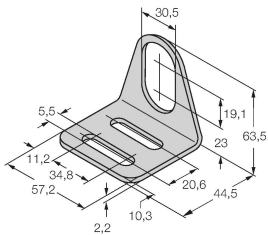
Quick-mount bracket with dead-stop; material: Chrome-plated brass. Male thread M36 × 1.5. Note: The switching distance of the proximity switches may change when using quick-mount brackets.

BST-30B 6947216



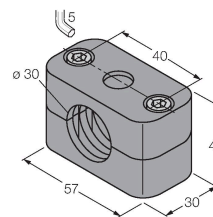
Mounting clamp for threaded barrel sensors, with dead-stop; material: PA6

MW-30 6945005



Mounting bracket for threaded barrel sensors; material: Stainless steel A2 1.4301 (AISI 304)

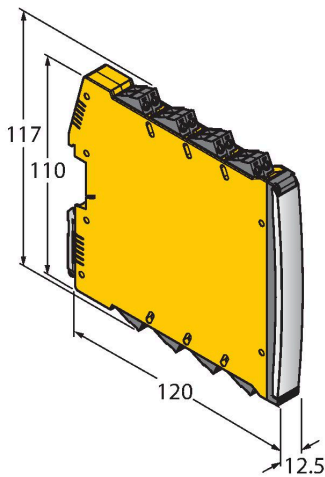
BSS-30 6901319



Mounting clamp for smooth and threaded barrel sensors; material: Polypropylene

Accessories

Dimension drawing Type ID



IMX12-DI01-2S-2T-0/24VDC 7580020

Isolating switching amplifier, 2-channel; SIL2 acc. to IEC 61508; Ex-proof version; 2 transistor outputs; input Namur signal; ON/OFF switchable monitoring of wire-break and short-circuit; toggle between NO/NC mode; signal doubling; removable screw terminals; 12.5 mm wide; 24 VDC power supply

Instructions for use

| | |
|--|--|
| Intended use | This device fulfills Directive 2014/34/EC and is suited for use in explosion-hazardous areas according to EN 60079-0:2018 and EN 60079-11:2012. It is also suitable for use in safety-related systems, including SIL2 (IEC 61508) and PL c (ISO 13849-1) with HFT0 and SIL3 (IEC 61508) and PL e (ISO 13849-1) with redundant configuration HFT1. In order to ensure that the device is operated as intended, the national regulations and directives must be observed. |
| For use in explosion hazardous areas conform to classification | II 1 G and II 1 D (Group II, Category 1 G, electrical equipment for gaseous atmospheres and category 1 D, electrical equipment for dust atmospheres). |
| Marking (see device or technical data sheet) | Ex II 1 G and Ex ia IIC T6 Ga and Ex II 1 D Ex ia IIIC T135 °C Da acc. to EN 60079-0, -11 |
| Local admissible ambient temperature | -25...+70 °C |
| Installation/Commissioning | These devices may only be installed, connected and operated by trained and qualified staff. Qualified staff must have knowledge of protection classes, directives and regulations concerning electrical equipment designed for use in explosion hazardous areas. Please verify that the classification and the marking on the device comply with the actual application conditions. This device is only suited for connection to approved Exi circuits according to EN 60079-0 and EN 60079-11. Please observe the maximum admissible electrical values. After connection to other circuits the sensor may no longer be used in Exi installations. When interconnected to (associated) electrical equipment, it is required to perform the "Proof of intrinsic safety" (EN60079-14). Attention! When used in safety systems, all content of the security manual must be observed. |
| Installation and mounting instructions | Avoid static charging of cables and plastic devices. Please only clean the device with a damp cloth. Do not install the device in a dust flow and avoid build-up of dust deposits on the device. If the devices and the cable could be subject to mechanical damage, they must be protected accordingly. They must also be shielded against strong electro-magnetic fields. The pin configuration and the electrical specifications can be taken from the device marking or the technical data sheet. |
| Service/Maintenance | Repairs are not possible. The approval expires if the device is repaired or modified by a person other than the manufacturer. The most important data from the approval are listed. |