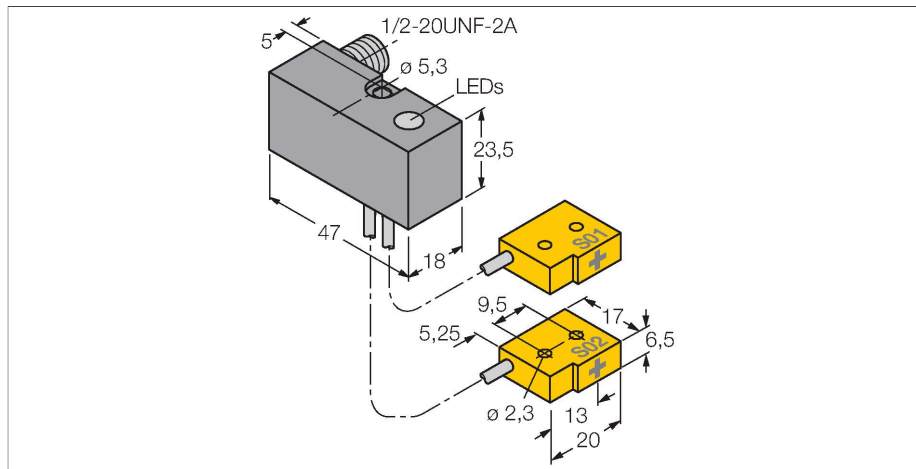


NI2-Q6.5-ADZ32-0.16-FSB5.4X4/S304

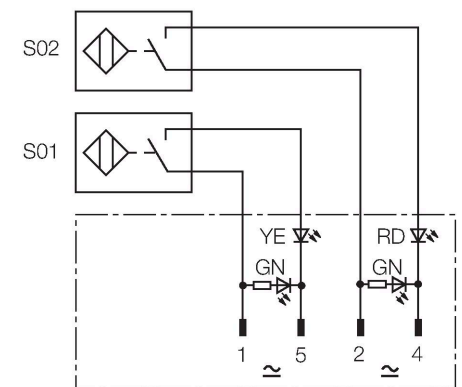
Inductive Sensor – Monitoring Kit for Power Clamps



Features

- Rectangular, height 23.5 mm
- Plastic, PBT-GF20-V0
- Resistant to magnetic fields (weld-resistant), for DC and AC fields up to 100 mT
- AC 4-wire, 20...250 VDC
- DC 4-wire, 10...300 VDC
- 2 x NO contact
- 1/2" male connector

Wiring diagram



Functional principle

TURCK offers special monitoring kits, consisting of two miniature sensors, as a convenient solution for "Open/Closed" detection on pneumatic power clamps. This product line provides almost unlimited combination possibilities, comprising four different power blocks and over 40 different modular sensor types.

Technical data

Type	NI2-Q6.5-ADZ32-0.16-FSB5.4X4/S304
ID	4200203
Special version	S304 Corresponds to: 2 x Ni./Bi...-AP(N)6/S34. Function for DeviceNet. Defined length at connector FS4.4/FS4.4K or FSF5.5/FSF5.5K (with PE connection) or FS4.4X3. Example for order : Ni2-Q6.5-AP6-0.1-FSF4.4X3/S304

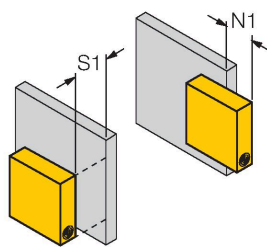
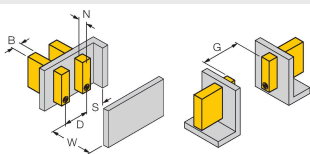
General data	
Rated switching distance	2 mm
Mounting conditions	Non-flush
Secured operating distance	$\leq (0.81 \times S_n)$ mm
Correction factors	St37 = 1; Al = 0.7; stainless steel = 0.75; Ms = 0.45
Repeat accuracy	≤ 2 % of full scale
Temperature drift	$\leq \pm 10$ %
Hysteresis	3...15 %
Electrical data	
Operating voltage U_B	20...250 VAC
Operating voltage U_B	10...300 VDC
AC rated operational current	≤ 100 mA
DC rated operating current I_o	≤ 100 mA
Frequency	$\geq 50... \leq 60$ Hz
Residual current	≤ 1.7 mA
Isolation test voltage	1.5 kV
Surge current	≤ 1 A (≤ 10 ms max. 5 Hz)
Short-circuit protection	yes/Latching
Voltage drop at I_o	≤ 6 V
Wire break/reverse polarity protection	yes/Complete

Technical data

Output function	4-wire, 2 x NO contact, 2-wire
Smallest operating current	$\geq 3 \text{ mA}$
Switching frequency	0.02 kHz
Mechanical data	
Design	Monitoring Kit for Spanners, Q6,5
Dimensions	47 x 18 x 23.5 mm
Housing material	Plastic, PBT-GF20-V0
Active area material	Plastic, PP GR-20
Electrical connection	Connector, 1/2"
Cable quality	$\varnothing 2 \text{ mm}$, Gray, Lif9Y-11Y, PUR, 0.16 m
Core cross-section	$3 \times 0.08 \text{ mm}^2$
Litz wire	40 x 0.05 mm
Environmental conditions	
Ambient temperature	-25...+70 °C
Vibration resistance	55 Hz (1 mm)
Shock resistance	30 g (11 ms)
Protection class	IP67
MTTF	2283 years acc. to SN 29500 (Ed. 99) 40 °C
Power-on indication	2 x LEDs, Green
Switching state	2 x LEDs, Yellow/red

Mounting instructions

Mounting instructions/Description



Distance D	$3 \times B$
Distance W	$3 \times S_n$
Distance S	$1.5 \times B$
Distance G	$6 \times S_n$
Distance N	$2 \times S_n$
Width active area	6.5 mm
B	

Please note, non-flush mounting of this sensor is obligatory.

The following conditions allow semi-flush mounting:

$N1 = 0 \text{ mm}$ and $S1 = 1 \text{ mm}$ or

$N1 = 1 \text{ mm}$ and $S1 = 0 \text{ mm}$

These values apply for mounting in aluminium

$N1 = 0 \text{ mm}$ and $S1 = 5 \text{ mm}$ or

$N1 = 5 \text{ mm}$ and $S1 = 0 \text{ mm}$

These values apply for mounting in St37.