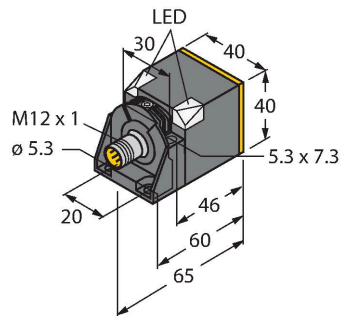


# NI35U-CK40-AD4X-H1144

## Inductive Sensor

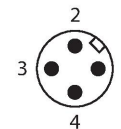
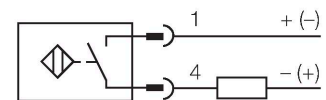


### Features

- Rectangular, height 40 mm
- Variable orientation of active face in 5 directions
- Plastic, PBT-GF30-V0
- High luminance corner LEDs
- Optimum view on supply voltage and switching state from any position
- Factor 1 for all metals
- Resistant to magnetic fields
- DC 2-wire, 10...65 VDC
- NO contact
- M12 x 1 male connector

### Technical data

Type	NI35U-CK40-AD4X-H1144
ID	4280232
<b>General data</b>	
Rated switching distance	35 mm
Mounting conditions	Non-flush
Secured operating distance	$\leq (0.81 \times S_n)$ mm
Repeat accuracy	$\leq 2$ % of full scale
Temperature drift	$\leq \pm 10$ %
	$\leq \pm 15$ %, $\leq -25$ °C v $\geq +70$ °C
Hysteresis	3...20 %
<b>Electrical data</b>	
Operating voltage	10...65 VDC
Residual ripple	$\leq 10$ % $U_{ss}$
DC rated operational current	$\leq 100$ mA
Residual current	$\leq 0.8$ mA
Isolation test voltage	$\leq 0.5$ kV
Short-circuit protection	yes / Cyclic
Voltage drop at $I_o$	$\leq 5$ V
Wire breakage/Reverse polarity protection	Complete
Output function	2-wire, NO contact, 2-wire
DC field stability	300 mT
AC field stability	300 mT <sub>ss</sub>
Smallest operating current	$\geq 3$ mA
Switching frequency	0.01 kHz
<b>Mechanical data</b>	
Design	Rectangular, CK40



### Functional principle

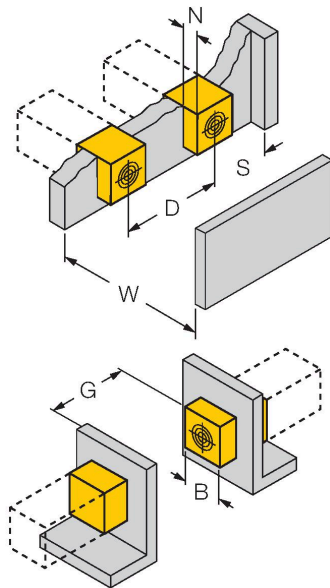
Inductive sensors are designed for wear-free and contactless detection of metal objects. approx+ sensors have significant advantages due to their patented multi-coil system. They excel thanks to their optimum switching distances, maximum flexibility and operational reliability as well as efficient standardization.

## Technical data

Dimensions	65 x 40 x 40 mm
	variable orientation of active face in 5 directions
Housing material	Plastic, PBT-GF20-V0, Black
Active area material	Plastic, PA12-GF30, yellow
Electrical connection	Connector, M12 × 1
<b>Environmental conditions</b>	
Ambient temperature	-25...+70 °C
Vibration resistance	55 Hz (1 mm)
Shock resistance	30 g (11 ms)
Protection class	IP67
MTTF	874 years acc. to SN 29500 (Ed. 99) 40 °C
Switching state	2 × LEDs, Yellow
Included in delivery	Mounting bracket BS4-CK40

## Mounting instructions

### Mounting instructions/Description



Distance D	3 x B
------------	-------

Distance W	3 x Sn
------------	--------

Distance S	1.5 x B
------------	---------

Distance G	6 x Sn
------------	--------

Distance N	1 x B
------------	-------

Width active area	40 mm
B	

Flush-mounted installation on up to 4 sides

1-side flush-mounted: Sr = 28 mm

2-side flush-mounted: Sr = 24 mm

3-side flush-mounted: Sr = 19 mm

4-side flush-mounted: Sr = 12 mm

Rear-side mounting with full switching distance possible.

Recessed installation with reduced switching distance possible.

The values stated relate to a 1-mm-thick steel plate.

## Accessories

BSS-CP40

6901318

Mounting clamp for rectangular housings 40 x 40 mm; material: Polypropylene

