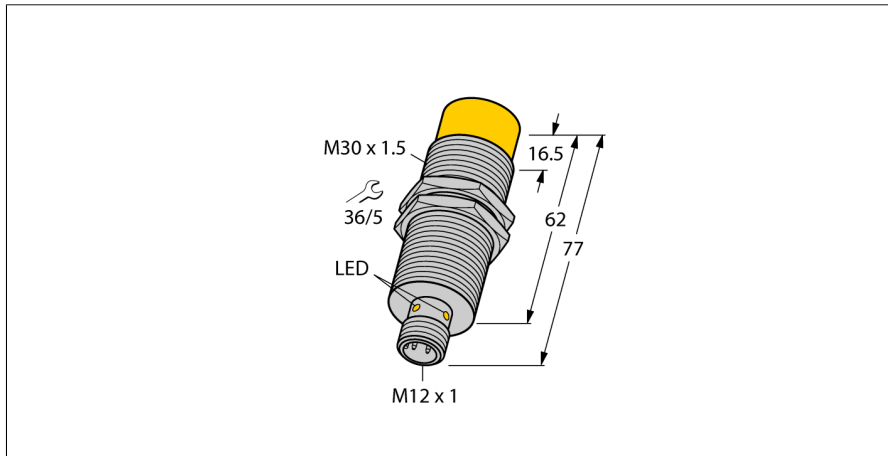
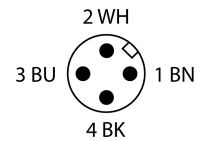
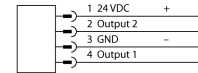


Inductive coupler
Primary Side
NICP-M30-IOL2P8X-H1141



- Threaded barrel, M30 x 1.5
- Chrome-plated brass
- DC 4-wire, 24 VDC
- 2 x PNP output
- Male, M12 x 1
- IO-Link transmission



Type designation	NICP-M30-IOL2P8X-H1141
Ident no.	4300101
max. transmission distance	7 mm
max. offset	5 mm
Maximum Angular Misalignment	15 °
Mounting conditions	Non-flush
Ambient temperature	-20...+55 °C
DC rated operational current	≤ 750 mA
Communication protocol	IO-Link
Output function	4-wire, PNP
Nominal transmission capacity	12 W
Maximum standby power coupled	3 W
Maximum standby power not coupled	1 W
System readiness delay (power)	160 ms
IO-Link specification	Version 1.1.1
Design	Threaded barrel, M30 × 1.5
Dimensions	77.1 mm
Housing material	Metal, CuZn, Chrome-plated
Active area material	Plastic, PA12-GF30
Max. tightening torque of housing nut	40 Nm
Electrical connection	Connectors, M12 × 1
Vibration resistance	55 Hz (1 mm)
Shock resistance	30 g (11 ms)
Protection class	IP67
	IP68
MTTF	547 years acc. to SN 29500 (Ed. 99) 20 °C
Switching state	LED, Yellow, 10 Hz = no secondary component, 1 Hz = FOD active

Functional principle

Inductive couplers transmit power and data contactless. With a high-frequency alternating field power is transmitted at a frequency of 200 kHz and data at 2.4 GHz. The powered primary component NICP feeds the secondary component NICS via the air interface which in turn transmits the sensor signals back to the primary component.

Inductive coupler
Primary Side
NICP-M30-IOL2P8X-H1141

Distance D	60 mm
Distance T	60 mm
Distance S	30 mm
Distance N	26,5 mm

Diameter active area B	Ø 30 mm
------------------------	---------

