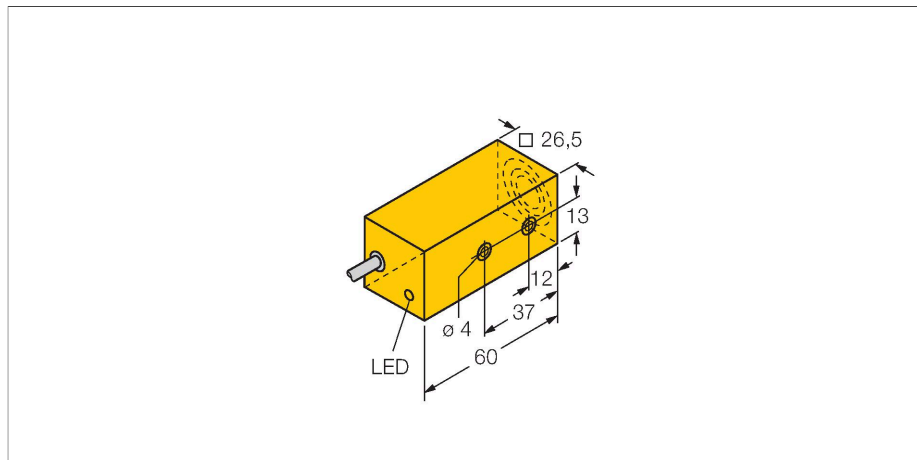


# BI10F-Q26-AD4X/S34

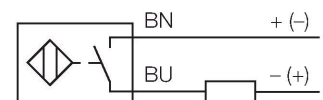
## Inductive sensor – Resistant to magnetic fields



### Features

- Rectangular, height 26 mm
- Active face in front
- Plastic, PBT-GF30-V0
- Resistant to magnetic fields (weld resistant), for DC and AC fields
- DC 2-wire, 10...65 VDC
- NO contact
- Cable connection

### Wiring diagram



### Functional principle

Inductive sensors detect metal objects contactless and wear-free. For this, they use a high-frequency electromagnetic AC field that interacts with the target. Inductive sensors generate this field via an RLC circuit with a ferrite coil.

### Technical data

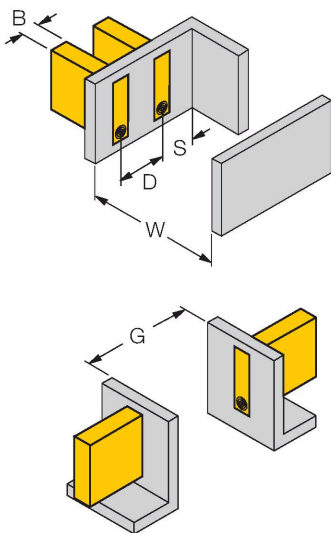
Type	BI10F-Q26-AD4X/S34
Ident. no.	44700
Special version	S34 corresponds to: Resistant to magnetic fields
Rated switching distance	10 mm
Mounting conditions	Flush
Secured operating distance	$\leq (0.81 \times S_n)$ mm
Correction factors	St37 = 1; Al = 0.3; stainless steel = 0.7; Ms = 0.4
Repeat accuracy	$\leq 2\%$ of full scale
Temperature drift	$\leq \pm 10\%$
Hysteresis	1...15 %
Ambient temperature	-25...+70 °C
Operating voltage	10...65 VDC
Residual ripple	$\leq 10\% U_{s_s}$
DC rated operational current	$\leq 100$ mA
Residual current	$\leq 0.8$ mA
Isolation test voltage	$\leq 0.5$ kV
Short-circuit protection	yes / Cyclic
Voltage drop at $I_s$	$\leq 5$ V
Wire breakage/Reverse polarity protection	Complete
Output function	2-wire, NO contact, 2-wire
Smallest operating current	$\geq 3$ mA
Switching frequency	0.02 kHz
<b>Design</b>	<b>Rectangular, Q26</b>
Dimensions	60 x 26 x 26 mm
Housing material	Plastic, PBT-GF30-V0
Active area material	PBT-GF30-V0

## Technical data

End cap	Plastic, PA66-GF25
Electrical connection	Cable
Cable quality	Ø 5.2 mm, LifYY, PVC, 2 m
Core cross-section	2 x 0.34 mm <sup>2</sup>
Vibration resistance	55 Hz (1 mm)
Shock resistance	30 g (11 ms)
Protection class	IP67
MTTF	2283 years acc. to SN 29500 (Ed. 99) 40 °C
Switching state	LED, Yellow

## Mounting instructions

### Mounting instructions/Description



Distance D	3 x B
Distance W	3 x Sn
Distance S	1.5 x B
Distance G	6 x Sn
Width active area B	26 mm