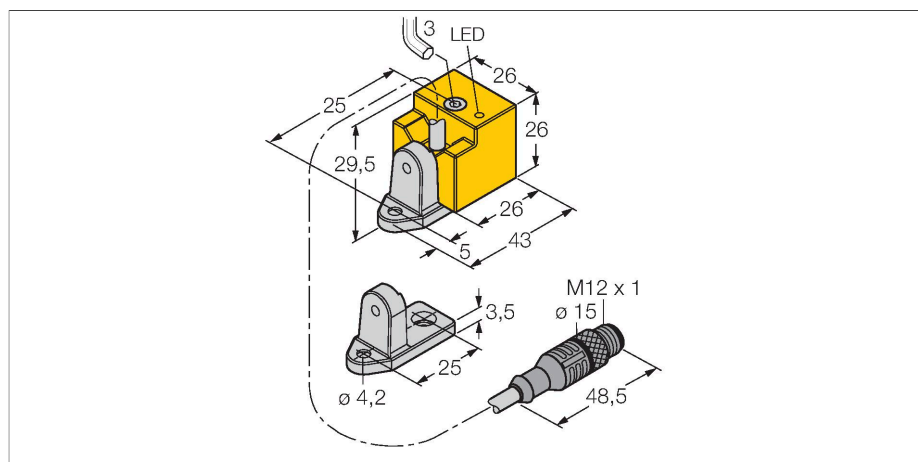


# NI15-QN26-AD4X-0.15XOR-RS4.23/S100-S1589

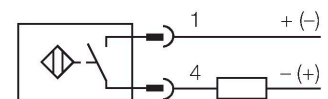
## Inductive sensor – With extended temperature range



### Features

- Rectangular, height 26 mm
- Variable orientation of active face in 4 directions
- Plastic, PBT-GF30-V0
- High luminance LED
- Coated housing suited for welding facilities
- Temperatures up to +100 °C
- DC 2-wire, 10...65 VDC
- NO contact
- Cable with male end

### Wiring diagram

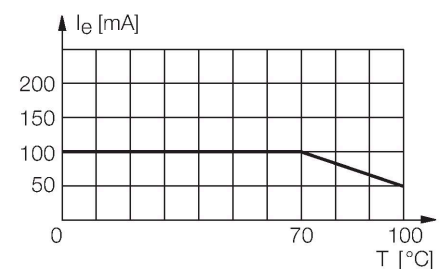


### Technical data

Type	NI15-QN26-AD4X-0.15XOR-RS4.23/S100-S1589
Ident. no.	4470232
Special version	Maximum ambient temperature = 100 °C WeldGuard™ coating
Rated switching distance	15 mm
Mounting conditions	Non-flush
Secured operating distance	≤ (0.81 × Sn) mm
Correction factors	St37 = 1; Al = 0.3; stainless steel = 0.7; Ms = 0.4
Repeat accuracy	≤ 2 % of full scale
Temperature drift	≤ ± 10 % ≤ ± 20 %, ≥ +70 °C
Hysteresis	1...15 %
Ambient temperature	-25...+100 °C
Operating voltage	10...65 VDC
Residual ripple	≤ 10 % U <sub>ss</sub>
DC rated operational current	≤ 100 mA
Rated operational current	See derating curve
Residual current	≤ 0.6 mA
Isolation test voltage	≤ 0.5 kV
Short-circuit protection	yes / Cyclic
Voltage drop at I <sub>e</sub>	≤ 5 V
Wire breakage/Reverse polarity protection	Complete
Output function	2-wire, NO contact, 2-wire
Smallest operating current	≥ 3 mA
Switching frequency	0.5 kHz

### Functional principle

Inductive sensors detect metal objects contactless and wear-free. For this, they use a high-frequency electromagnetic AC field that interacts with the target. Inductive sensors generate this field via an RLC circuit with a ferrite coil.

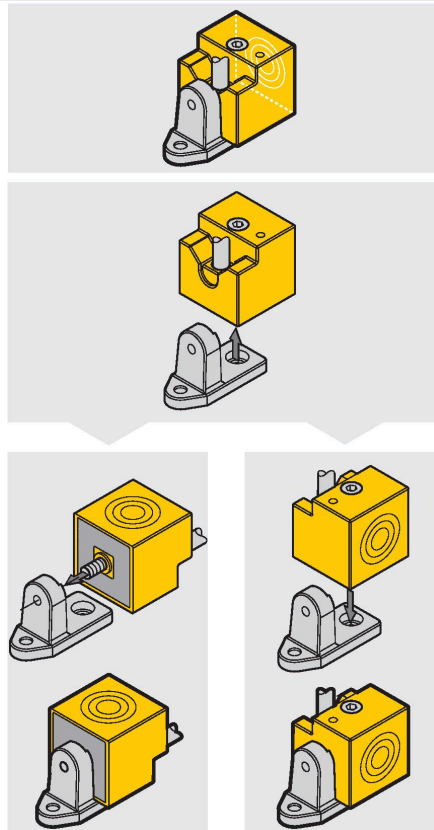
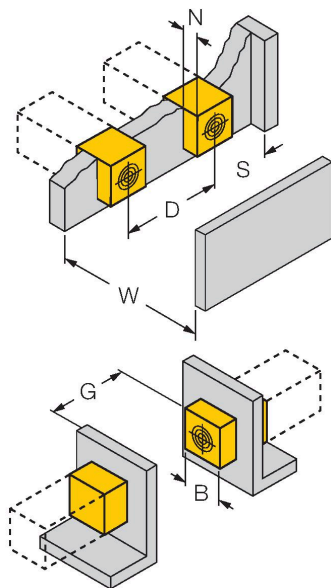


## Technical data

Design	Rectangular, QN26
Dimensions	43 x 26 x 26 mm
	variable orientation of active face in 4 directions
Housing material	Plastic, PBT-GF30-V0, Weldguard coated
Material coupling nut	CuZn, PTFE-coated
Electrical connection	Cable with connector, M12 x 1
Cable quality	Ø 4.4 mm, Orange, Lif12Y11X, PUR, 0.15 m
Core cross-section	2 x 0.34 mm <sup>2</sup>
Vibration resistance	55 Hz (1 mm)
Shock resistance	30 g (11 ms)
Protection class	IP67
Switching state	LED
Included in delivery	turning angle

## Mounting instructions

### Mounting instructions/Description



Distance D	3 x B
Distance W	3 x Sn
Distance S	1.5 x B
Distance G	6 x Sn
Distance N	1 x B
Width active area B	26 mm

Screwed on acc. to  
 DIN 6912 Allen screw  
 M4 x 30 included in scope of supply.  
 DIN 84 slotted screw  
 Not included in scope of supply.