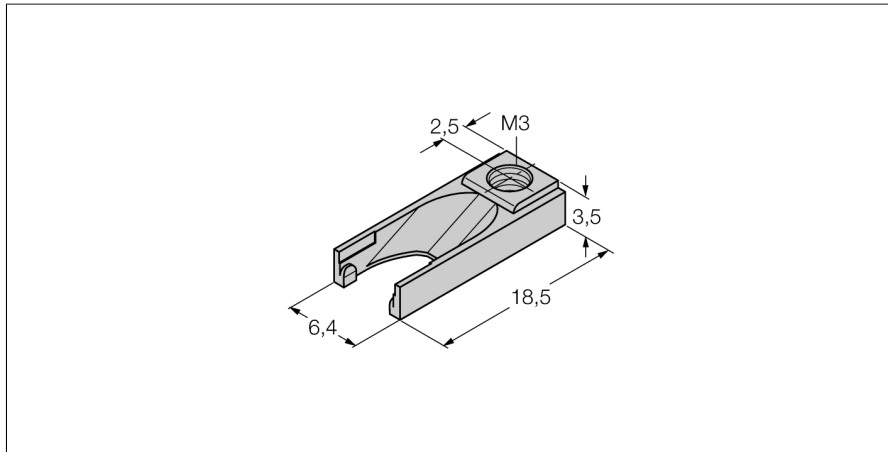


# Accessories

## Switching Point Lock

### For T-Groove Cylinders

#### UNT-STOPPER



- Accessories to secure the switchpoint on T-groove cylinders
- Snap-lock mounting in equipment fixture of the sensor

Type	UNT-STOPPER
ID	4685751
Design	Accessories
Dimensions	18.5 x 6.4 x 3.5 mm
Housing material	Plastic