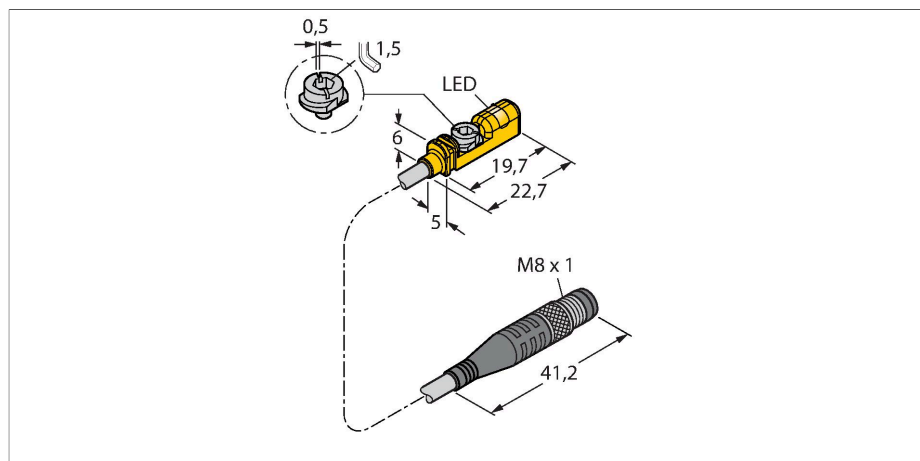


BIM-UNTK-AP6X-0.3-PSG3M

Magnetic Field Sensor – Compact design for small hydraulic cylinders



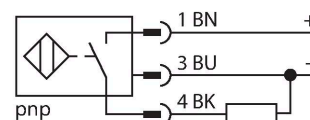
Features

- For T-groove cylinders without mounting accessories
- Optional accessories for mounting on other cylindrical housings.
- One-hand mounting possible
- Tool for fine adjustments and stopper directly mountable on the sensor
- Stable mounting
- Magneto-resistive sensor
- DC 3-wire, 10...30 VDC
- NO contact, PNP output
- Pigtail with male end, M8 x 1

Technical data

| | |
|---|-------------------------|
| Type | BIM-UNTK-AP6X-0.3-PSG3M |
| ID | 4686015 |
| General data | |
| Pass speed | ≤ 3 m/s |
| Repeatability | ≤ ± 0.3 mm |
| Temperature drift | ≤ 0.3 mm |
| Hysteresis | ≤ 1 mm |
| Electrical data | |
| Operating voltage | 10...30 VDC |
| Residual ripple | ≤ 10 % U _{ss} |
| DC rated operational current | ≤ 150 mA |
| No-load current | 15 mA |
| Residual current | ≤ 0.1 mA |
| Isolation test voltage | ≤ 0.5 kV |
| Short-circuit protection | yes / Cyclic |
| Voltage drop at I _e | ≤ 1.8 V |
| Wire breakage/Reverse polarity protection | yes / Complete |
| Output function | 3-wire, NO contact, PNP |
| Switching frequency | 0.3 kHz |
| Mechanical data | |
| Design | Rectangular, UNTK |
| Dimensions | 19.7 x 5 x 6 mm |
| Housing material | Plastic, PP |
| Active area material | Plastic, PP |
| Tightening torque fixing screw | 0.4 Nm |

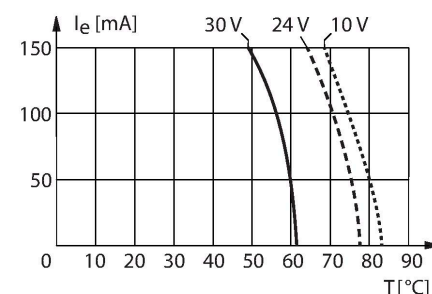
Wiring diagram



Functional principle

Magnetic field sensors are actuated by magnetic fields through which they detect the position of pistons in pneumatic cylinders. As Magnetic fields can permeate non-magnetizable metals, they detect a permanent magnet attached to the piston through the aluminium wall of a cylinder.

The derating curve is valid for devices installed in metal. For air installation with 150 mA power supply: 10 V 50 °C, 24 V 40 °C, 30 V 19 °C.

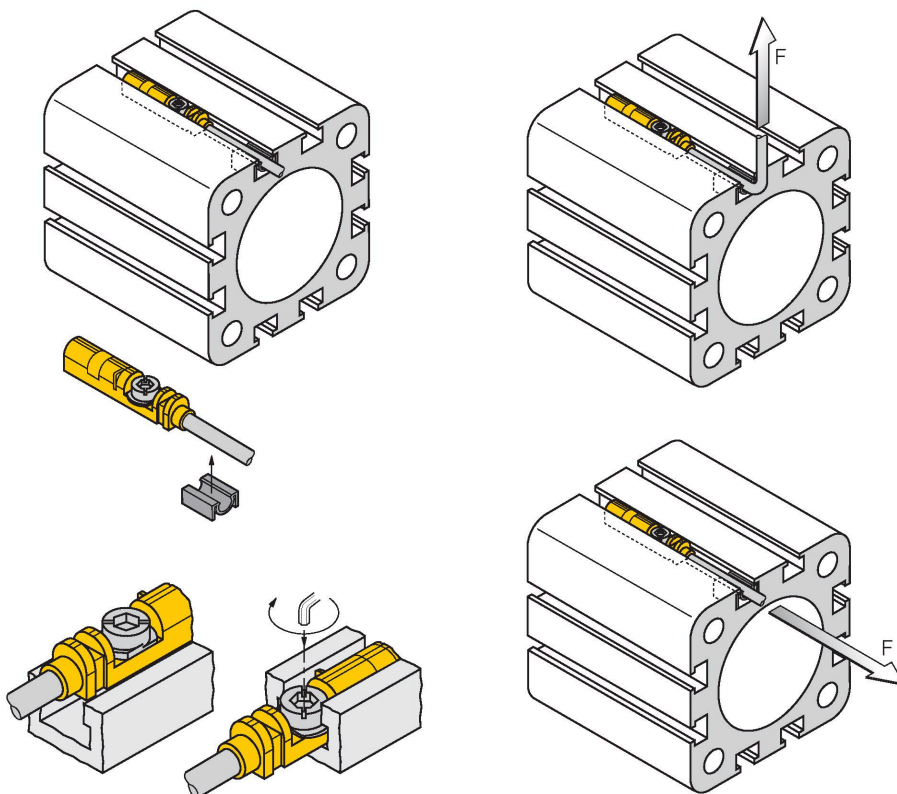


Technical data

| | |
|---|---|
| Electrical connection | Cable with connector, M8 × 1 |
| Cable quality | Ø 3 mm, Gray, Lif9Y-11Y, PUR, 0.3 m |
| | Suited for E-ChainSystems® acc. to manufacturers declaration H1063M |
| Core cross-section | 3 x 0.14 mm ² |
| Environmental conditions | |
| Ambient temperature | -25...+70 °C |
| Vibration resistance | 55 Hz (1 mm) |
| Shock resistance | 30 g (11 ms) |
| Protection class | IP68 |
| MTTF | 2283 years acc. to SN 29500 (Ed. 99) 40 °C |
| Mounting on the following profiles | |
| Cylindrical design | |
| Switching state | LED, Yellow |
| Included in delivery | Cable clip |

Mounting instructions

Mounting instructions/Description

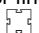


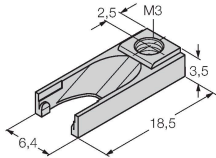
Thanks to the mounting lip, the sensor can be inserted into the groove from above with one hand. Mount the sensors as follows using the patented wing screw: The wing screw and the female thread feature a left-hand thread. Two small plastic lips keep the screw in position, ready-to-install. Turn the screw clockwise. The screw moves out of the thread and hits the upper grooves with the wings. The sensor is thus pressed down and locked in position. A few degrees up to approximately 1.5 turns of the screw with a slotted screwdriver (blade width 0.5 mm) or a 1.5 mm Allen key are sufficient to ensure vibration-proof fastening, depending on the shape of the slot. A tightening torque of 0.4 Nm is sufficient for safe mounting without damaging the cylinder. The sensor can now withstand an axial and radial tensile load of $F=100\text{N}$ applied on the cable. A cable clip is included in the scope of delivery. It enables smooth cable routing in the groove and ensures that the cable is fastened as securely as possible. The corresponding accessories for mounting on other cylindrical housings must be ordered separately.

Accessories

UNT-STOPPER

4685751

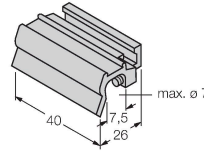
Accessories for finetuning the switchpoint on  T-groove cylinders; snap-locked in the BIM-UNT fixture; suited for multiple use; material: plastic



KLZ1-INT

6970410

Accessories for mounting the sensors BIM-INT and BIM-UNT on tie-rod cylinders; cylinder diameter: 32... 40 mm; material: Aluminum; further mounting accessories for other cylinder diameters on request



KLZ2-INT

6970411

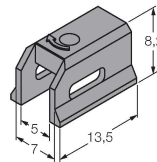
Accessories for mounting the sensors BIM-INT and BIM-UNT on tie-rod cylinders; Cylinder diameter: 50... 63 mm; material: Aluminium; Further mounting accessories for other cylinder diameters on request



KLDT-UNT2

6913351

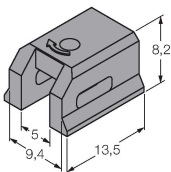
Mounting bracket for mounting magnetic field sensors on dovetail groove cylinders; groove width: 7 mm; material: PPS



KLDT-UNT3

6913352

Mounting bracket for mounting magnetic field sensors on dovetail groove cylinders; groove width: 9.4 mm; material: PPS



KLDT-UNT6

6913355

Mounting bracket for mounting magnetic field sensors on dovetail groove cylinders; groove width: 7.35 mm; material: PPS

