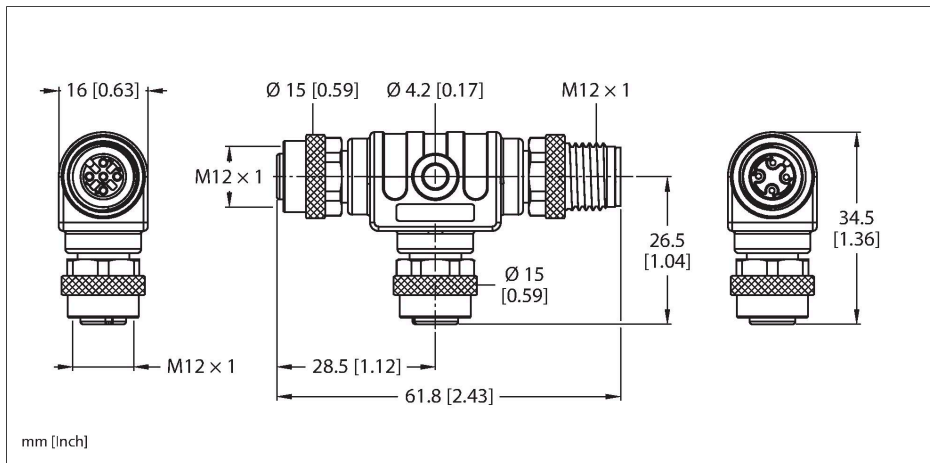


# RSCS-2RKCS48

## 2-Way Splitter – T-splitter



### Technical data

Type	RSCS-2RKCS48
ID	6602251
Connector A	M12 × 1
Number of Pins	4
Connector body	Plastic, PA 6, Black
Mechanical lifespan	> 100 Mating cycles
Pollution degree	3/2
Protection class	IP67, Only in screwed condition
Connector B	2 x Female, M12 × 1, Straight
Contacts	Metal, CuZn, Gold-plated
Contact carriers	Plastic, TPU, Black
Connector body	Plastic, PA 6, Black
Coupling nut/retaining screw	Brass, CuZn, Nickel-plated
Seal	Plastic, FPM (Viton)
Mechanical life	> 100 Mating cycles
Pollution degree	3/2
Protection class	IP67, Only when plugged
Network protocol	PROFIBUS-PA
Rated voltage	250 V
Current	4 A
Insulation resistance	$\geq 10^8 \Omega$
forward resistance	$\leq 5 \text{ m}\Omega$
<b>Mechanical and chemical properties</b>	
Ambient temperature range (stationary)	-30...+90 °C
Ambient temperature range (In motion)	-30...+90 °C

### Features

- 4-pole shielded T-splitter with M12 nickel-plated brass receptacle connections
- Shield on coupling nut
- For use in PROFIBUS-PA applications

### Headline Wiring Diagram

PROFIBUS-PA Connection



### Heading wiring diagram 3

Wiring Diagram

