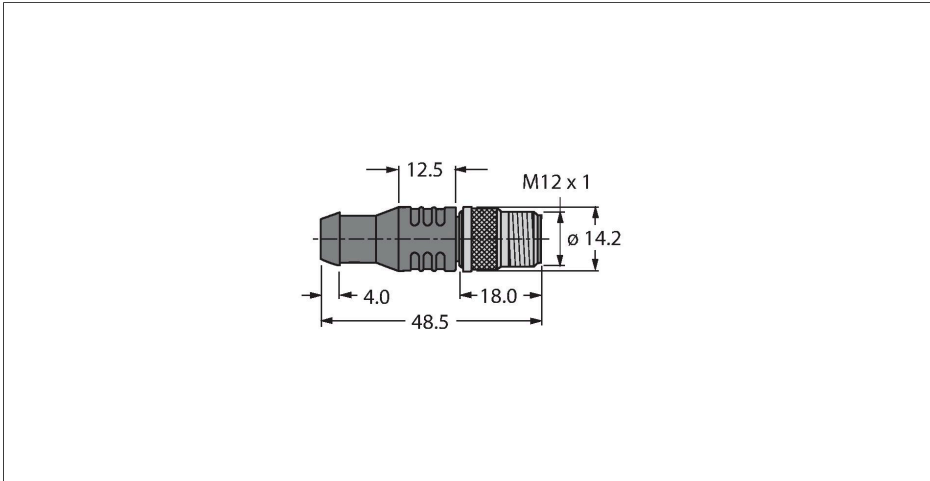


RSEV-48TR-EX

– Bus termination resistor

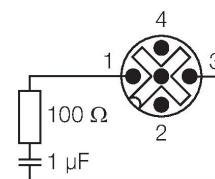


Features

- Type: M12 male connector
- Stainless steel coupling nut, straight, 4-pin
- For use in PROFIBUS-PA applications
- Temperature range: -40 °C...+70 °C
- Protection class: NEMA 1, 3, 4, 6P and IEC IP67
- FISCO compliant according to IEC TS 60079-27

Headline Wiring Diagram

Wiring Diagram



Technical data

Type	RSEV-48TR-EX
ID	6602560
Connector A	Male, M12 × 1, Straight
Number of Pins	4
Contacts	Brass, CuZn, Gold-plated
Contact carriers	Plastic, PUR, Black
Connector body	Plastic, PUR, Blue
Coupling nut/screw	1.4404
Protection class	IP67, (screwed together)
Network protocol	PROFIBUS-PA
Mechanical and chemical properties	
Ambient temperature range (In motion)	-40...+70 °C
Approvals	ATEX