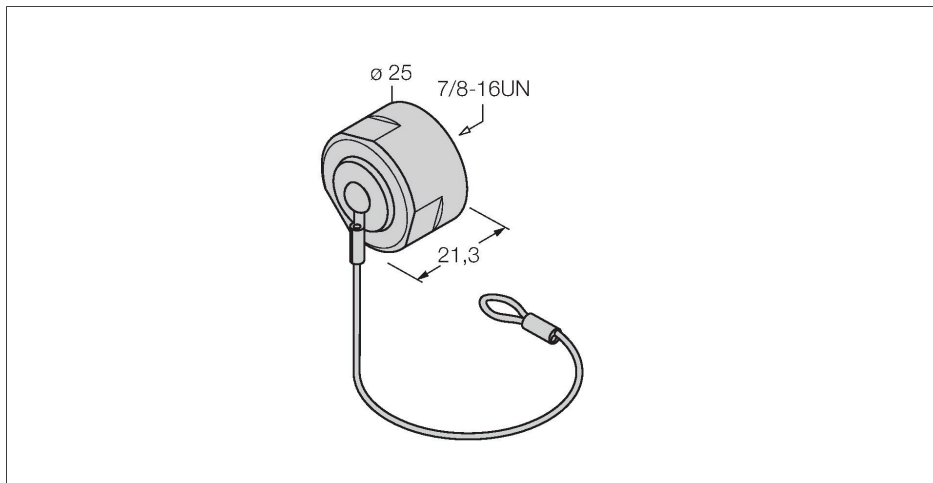


RKMV-CC

End Cap 7/8"



Features

- End-cap 7/8", stainless steel
- male
- Oil-resistant
- IP67 acc. to IEC 60529/ EN 60529 and Nema 1,3,4,6P
- with fixing rope

Technical data

Type	RKMV-CC
ID	6604038
Mechanical and chemical properties	
Ambient temperature range (In motion)	-40...+70 °C