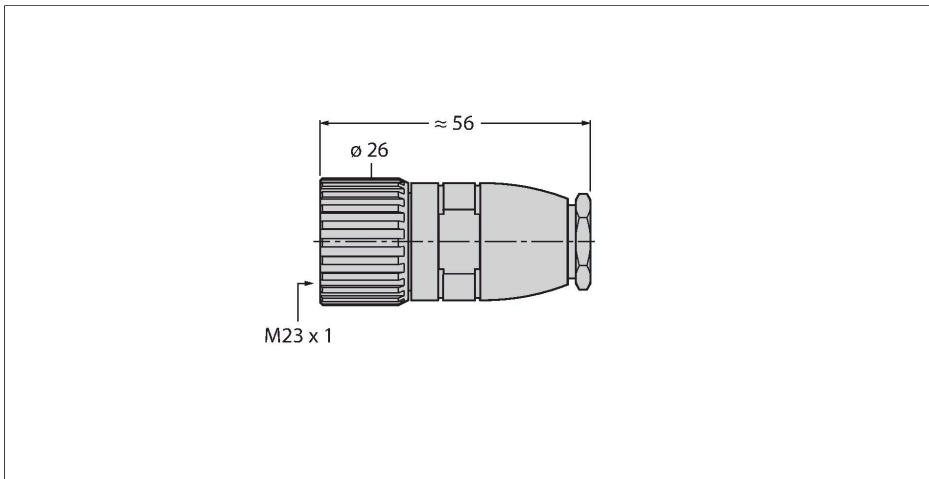


FW-M23ST12Q-G-LT-ME-XX-10

Field-Wireable Connector

Male M23 × 1, Straight

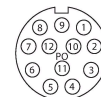


Features



- Metal housing
- Protection class IP65
- Solder connection
- 12-pin
- PG9 screw-in thread
- Cable feedthrough 6.0...8.0 mm

Contact assignment



Technical data

Type	FW-M23ST12Q-G-LT-ME-XX-10
ID	6604070
Connector A	Male, M23 × 1, Straight
Number of Pins	12
Contacts	CuZn, Gold-plated
Contact carriers	Plastic, PA, Black
Connector body	Brass, CuZn, nickel-plated
Coupling nut/screw	Brass, CuZn, Nickel-plated
Seal	Plastic, FPM/FKM
Screw-in thread	PG9
External diameter of the cable	6...8 mm
Core cross-section/Clamping ability	0.25...1 mm ²
Connection mode	Solder contact
Mechanical lifespan	> 50 Mating cycles
Protection class	IP65, (screwed together)
Electrical properties at +20 °C	
Rated voltage	48 V
Current	8 A
Insulation resistance	≥ 10 ⁸ Ω
forward resistance	≤ 3 mΩ
Mechanical and chemical properties	
Ambient temperature range (stationary)	-40...+70 °C