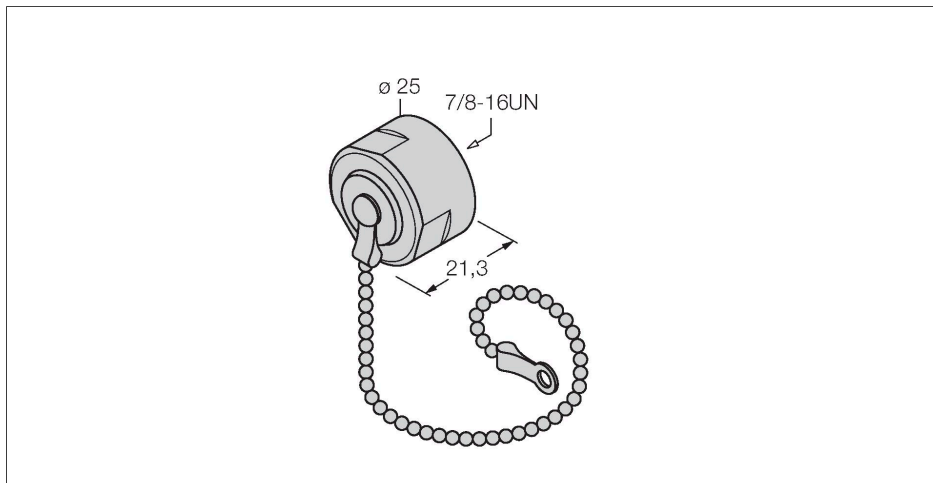


RSMV-CCO

End Cap 7/8"



Features

- 7/8" end cap, stainless steel
- Male connector
- Oil resistant
- IP67 acc. to IEC 60529/ EN 60529 and NE-MA 1, 3, 4, 6P
- With fastening chain, approx. 150 mm, clasp open

Technical data

Type	RSMV-CCO
ID	6604489
Mechanical and chemical properties	
Ambient temperature range (In motion)	-40...+70 °C