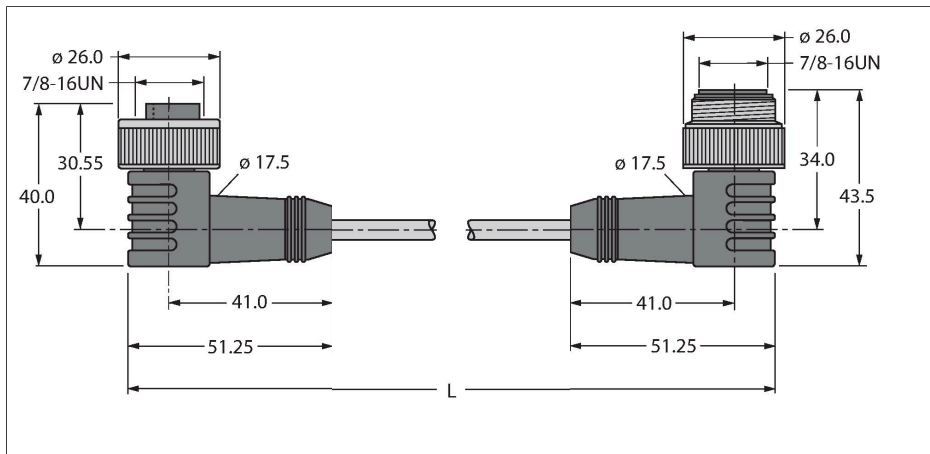


WKM52-2-WSM52

Power Supply Cable/PUR – Extension Cable

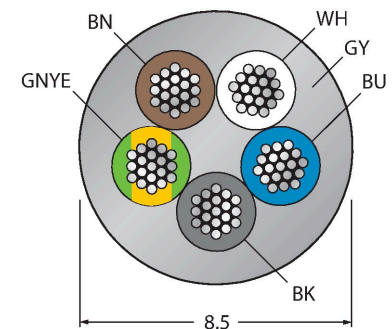


Features

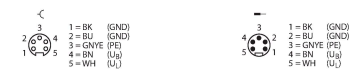


- Power cable: 5 x 1.5 mm²
- Jacket material: PUR, color: gray
- Jacket diameter: 8.5 mm
- Suitable for drag chain use
- Oil-resistant and flame-retardant
- Halogen-free
- 7/8" male, angled
- 7/8" female, angled
- Cable length: 2.0 m

Cable Cross-Section



Contact assignment



Circuit Diagram



Technical data

Type	WKM52-2-WSM52
ID no.	6604801
Connector A	Female, 7/8"-16 UN, Angled
Number of Pins	4+PE
Contacts	Metal, CuZn, Gold-plated
Contact carriers	Plastic, TPU, Black
Connector body	Plastic, TPU, Black
Coupling nut/screw	Brass, CuZn, Nickel-plated
Mechanical lifespan	> 100 Mating cycles
Pollution degree	3
Type of protection	IP67, Only in screwed condition
Connector B	Male, 7/8"-16 UN, Angled
Number of pins	4+PE
Contacts	Metal, CuZn, Gold-plated
Contact carriers	Plastic, TPU, Black
Connector body	Plastic, TPU, Black
Coupling nut/retaining screw	Brass, CuZn, Nickel-plated
Mechanical life	> 100 Mating cycles
Pollution degree	3
Protection class	IP67, Only when screwed together
Cable	
Network protocol	52
Cable diameter	Ø 8.5 mm ± 0.30
Cable length	2 m
Cable jacket	PUR, Gray
Shielding	no
Core insulation	PP

Technical data

Core cross-section	5 x 1.5 mm ²
Arrangement of strands	84 x 0.15 mm
Cable conductor cross-section	1.5 mm ²
Core colors	BN, WH, BU, BK, GNYE
Electrical properties at +20 °C	
Rated voltage	240 V
Test voltage	2000 V
Current	5.3 A
Mechanical and chemical properties	
Ambient temperature range (stationary)	-40 °C...+90 °C
Ambient temperature range (In motion)	0 °C...+90 °C
Other Features	
Qualified for drag chain use	yes
Halogen-free	yes
Oil-resistant	yes
Flame-retardant	yes