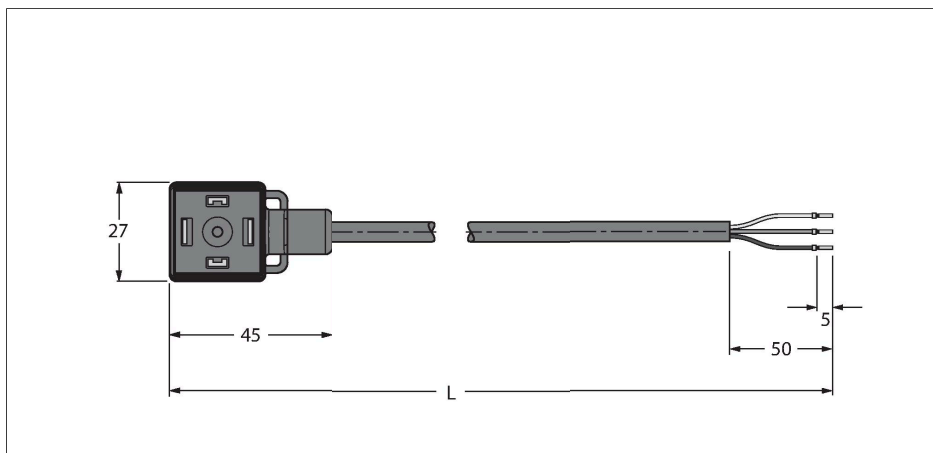


VAS22-S80E-5/TEL

Valve Connector, A Type – Connection Cable

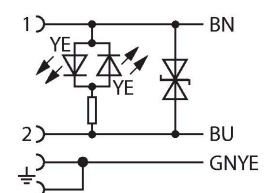
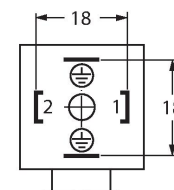


Features



- 2-pin + PE
- Design according to the DIN EN 175301-803
- RoHS-compliant
- Protection class: IP65, IP67, IP68
- Protective component: Transil diode
- Sheath material: PVC
- Sheath color: black
- Resistant to chemicals and oils
- Flame retardant
- Resistant to acids and alkaline solutions
- Resistant to microbes and hydrolysis
- LABS-free
- Cable length: 5.0 m

Contact assignment



Technical data

| | |
|---|--------------------------|
| Type | VAS22-S80E-5/TEL |
| ID | 6606668 |
| Number of Pins | 2+PE, PE bridged |
| Protective component | Transil diode |
| Display switch state | LED, Yellow/yellow |
| Protection class | IP65, IP67, IP68 |
| Cable diameter | Ø 6.1 mm ±0.20 |
| Cable length | 5 m |
| Cable jacket | PVC, Black |
| Core insulation | PVC |
| Core cross-section | 3 x 0.75 mm ² |
| Arrangement of strands | 24 x 0.195 mm |
| Core colors | BN, BU, GNYE |
| Electrical properties at +20 °C | |
| Rated voltage | 24 V |
| Test voltage | 2000 V |
| Insulation resistance | > 1 MΩ/km |
| forward resistance | max. 57 Ω/km |
| Mechanical and chemical properties | |
| Bending radius (stationary installation) | ≥ 5 x Ø |
| Bending radius (flexible use) | ≥ 10 x Ø |
| Ambient temperature range (stationary) | -40...+105 °C |
| Ambient temperature range (In motion) | 0...+80 °C |