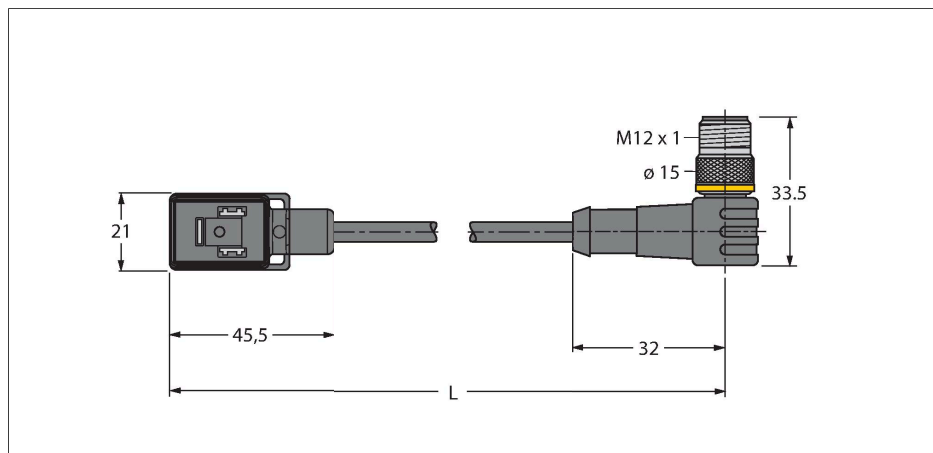


# VBS02-S80E-5-WSC5.31T/TEL

## Valve connector B type – Extension Cable



### Features

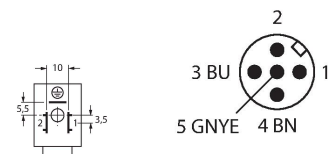


- 2-pin + PE
- Design according to the DIN EN 175301-803
- RoHS-compliant
- Protection class: IP65, IP67, IP68
- Protective component: Transil diode
- M12 male, angled, 2-pin + PE
- Sheath material: PVC
- Sheath color: black
- Resistant to chemicals and oils
- Flame retardant
- Resistant to acids and alkaline solutions
- Resistant to microbes and hydrolysis
- LABS-free
- Cable length: 5.0 m

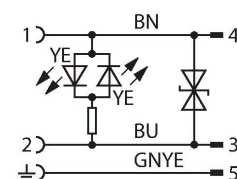
### Technical data

|                              |   |
|------------------------------|---|
| Type                         | VBS02-S80E-5-WSC5.31T/TEL               |
| ID                           | 6606845                                 |
| Connector A                  | Valve connector, Design B               |
| Number of Pins               | 2+PE                                    |
| Contacts                     | Metal, CuSn, Silver-plated              |
| Contact carriers             | Plastic, PA, Black                      |
| Connector body               | Plastic, TPU, Black/Translucent         |
| Protective component         | Transil diode                           |
| Seal                         | Plastic, TPU                            |
| Display switch state         | LED, Yellow/yellow                      |
| Mechanical lifespan          | > 100 Mating cycles                     |
| Pollution degree             | 3                                       |
| Protection class             | IP65, IP67, IP68, (mounted)             |
| Connector B                  | Male, M12 × 1, Angled                   |
| Number of pins               | 2+PE                                    |
| Contacts                     | Metal, CuZn, Gold-plated                |
| Contact carriers             | Plastic, TPU, Black                     |
| Connector body               | Plastic, TPU, Black                     |
| Coupling nut/retaining screw | Brass, CuZn, Nickel-plated              |
| Tightening torque            | 0.8 ... 1 Nm                            |
| Mechanical life              | > 100 Mating cycles                     |
| Pollution degree             | 3                                       |
| Protection class             | IP67, IP69K, Only when screwed together |
| Cable diameter               | Ø 5.3 mm ±0.20                          |
| Cable length                 | 5 m                                     |
| Cable jacket                 | PVC, Black                              |
| Core insulation              | PVC                                     |

### Contact assignment



### Circuit Diagram



## Technical data

|   |                            |
|---|----------------------------|
| Core cross-section                        | 3 x 0.34 mm <sup>2</sup>   |
| Arrangement of strands                    | 19 x 0.15 mm               |
| Core colors                               | BN, BU, GNYE               |
| <b>Electrical properties at +20 °C</b>    |                            |
| Rated voltage                             | 24 V                       |
| Test voltage                              | 2000 V                     |
| Current                                   | 4 A                        |
| Insulation resistance                     | > 1 MΩ/km                  |
| Insulation resistance                     | ≥ 10 <sup>8</sup> Ω        |
| forward resistance                        | max. 57 Ω/km               |
| <b>Mechanical and chemical properties</b> |                            |
| Bending radius (stationary installation)  | ≥ 5 x Ø                    |
| Bending radius (flexible use)             | ≥ 10 x Ø                   |
| Ambient temperature range (stationary)    | -40...+105 °C              |
| Ambient temperature range (In motion)     | 0...+80 °C                 |
| Mounting screw                            | Brass, CuZn, nickel-plated |