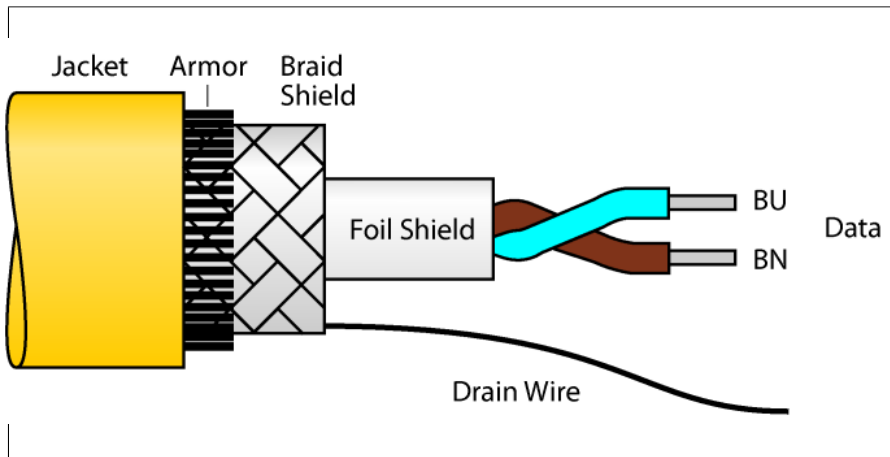


# Fieldbus cables for fieldbus systems

## According to IEC61158-2

### CABLE FBA-YE/SD 100M



- Fieldbus cable, type A, acc.to IEC 61158-2
- PVC outer jacket, yellow
- Armoring: Round steel wires
- Resistant to oil, gas and sunlight
- Temperature range -40...+75 °C
- Cable cross section: 18/7 AWG (0.8 mm<sup>2</sup>)
- Cable length: 100 m

Type	CABLE FBA-YE/SD 100M
ID	6611490
Cable length	100 m
Cable jacket	PVC, Yellow
Shielding	Plastic-covered aluminum foil, metal side outside, makes contact with drain wire and tinned copper wire
Core insulation	PE foam with PE jacket
Core colors	BN, BU
Core cross-section	2 x 0.8
DC resistance (loop)	43.6 Ω/km
Diameter	0.9 mm
Shield resistance	Nom. 9 Ω/km
Nom. impedance	100 ± 20 Ω (31.25 kBit/s)
Working capacitance	Nom. 60 nF/km
Capacitive earthing	max. 2 nF/km
Damping	max. 3.0 dB/km (with f = 39 kHz)
Skew	max. 1.7 μs/km (7.9 kHz -39 kHz)
Nom. Inductance	0.7 mH/km
Voltage	300 V
Ambient temperature range (stationary)	-40...+75°C
Ambient temperature range (In motion)	-5...+50°C
Approvals	UL
UV resistance	Acc. to UL 1581, section 1200
Oil-resistant	according to ICEA S82-552
Flame-retardant	according to IEC 60332-3