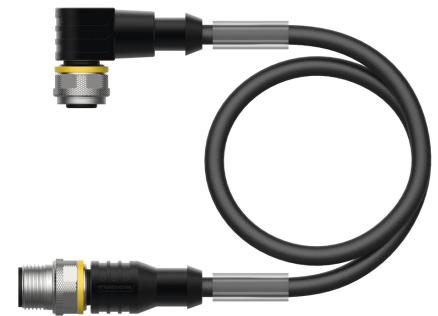
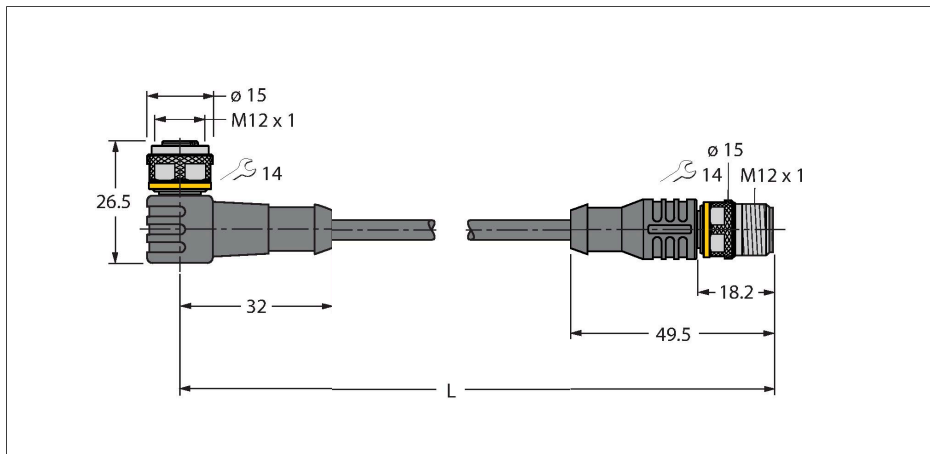


# WKC4T-10-RSC4T/TEL

## Actuator and Sensor Cable, PVC – Extension Cable



### Technical data

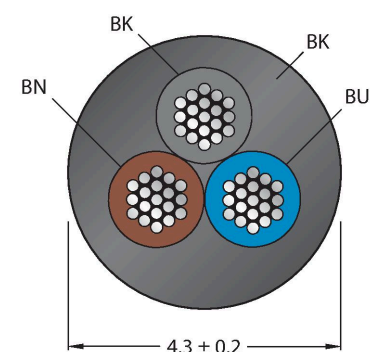
|                              |   |
|------------------------------|---|
| Type                         | WKC4T-10-RSC4T/TEL                      |
| ID                           | 6625697                                 |
| Connector A                  | Female, M12 × 1, Angled, A-coded        |
| Number of Pins               | 3                                       |
| Contacts                     | Brass, CuZn, Gold-plated                |
| Contact carriers             | Plastic, TPU, Black                     |
| Connector body               | Plastic, TPU, Black                     |
| Coupling nut/screw           | Brass, CuZn, Nickel-plated              |
| Seal                         | Plastic, FPM/FKM                        |
| Mechanical lifespan          | > 100 Mating cycles                     |
| Pollution degree             | 3                                       |
| Protection class             | IP67, IP69K, Only in screwed condition  |
| Connector B                  | Male, M12 × 1, Straight, A-coded        |
| Number of pins               | 3                                       |
| Contacts                     | Brass, CuZn, Gold-plated                |
| Contact carriers             | Plastic, TPU, Black                     |
| Connector body               | Plastic, TPU, Black                     |
| Coupling nut/retaining screw | Brass, CuZn, Nickel-plated              |
| Mechanical life              | > 100 Mating cycles                     |
| Pollution degree             | 3                                       |
| Protection class             | IP67, IP69K, Only when screwed together |
| Cable                        |   |
| Cable diameter               | Ø 4.3 mm ±0.20                          |
| Cable length                 | 10 m                                    |
| Cable jacket                 | PVC, Black                              |
| Core insulation              | PVC                                     |
| Core cross-section           | 3 x 0.34 mm <sup>2</sup>                |

### Features



- Female M12, angled, 3-pin
- Male M12, straight, 3-pin
- Jacket material: PVC
- Jacket color: black
- Resistant to chemicals and oils
- Flame retardant
- Resistant to acids and alkaline solutions
- Resistant to microbes and hydrolysis
- LABS free
- Protection class: IP67, IP69K
- Cable length: 10 m

### Cable Cross-Section



### Contact assignment

## Technical data

|   |               |
|---|---------------|
| Arrangement of strands                    | 42 x 0.1 mm   |
| Core colors                               | BN, BU, BK    |
| <b>Electrical properties at +20 °C</b>    |               |
| Rated voltage                             | 250 V         |
| Test voltage                              | 2000 V        |
| Current                                   | 4 A           |
| Insulation resistance                     | > 30.5 MΩ/km  |
| forward resistance                        | max. 57 Ω/km  |
| <b>Mechanical and chemical properties</b> |               |
| Bending radius (stationary installation)  | ≥ 5 x Ø       |
| Bending radius (flexible use)             | ≥ 10 x Ø      |
| Ambient temperature range (stationary)    | -40...+105 °C |
| Ambient temperature range (In motion)     | -5...+80 °C   |
| Approvals                                 | cULus         |

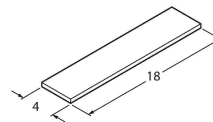


## Circuit Diagram

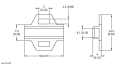


## Accessories

|   |         |   |         |
|---|---------|---|---------|
| <b>TORQUE-WRENCH-SET-AS</b>   | 6936170 | <b>BLANK-LABEL-FOR-CORDSETS-TEL-TXL</b>   | 6936206 |
| Torque wrench set; handles with adjustable torque 0.4-1.0 Nm, torque wrench for M8 (SW9), fork wrench for M12 (SW 14) |         | Label for TEL and TXL cables, length: 18 mm, height: 4 mm, material: polycarbonate (PC), color: white, halogen-free and flame-retardant |         |



## Accessories

| Dimension drawing   | Type                  | ID        |  |
|---|-----------------------|-----------|--|
|  | LABEL-HOLDER-FLEX-PVC | 100048170 | PVC label holder for identification of extension cables (TEL/TXL product series); for cable diameters: min. 5 mm; dimensions 4 x 18 mm; delivery unit: 50 pcs. per package |