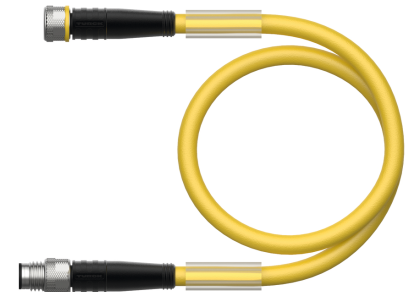
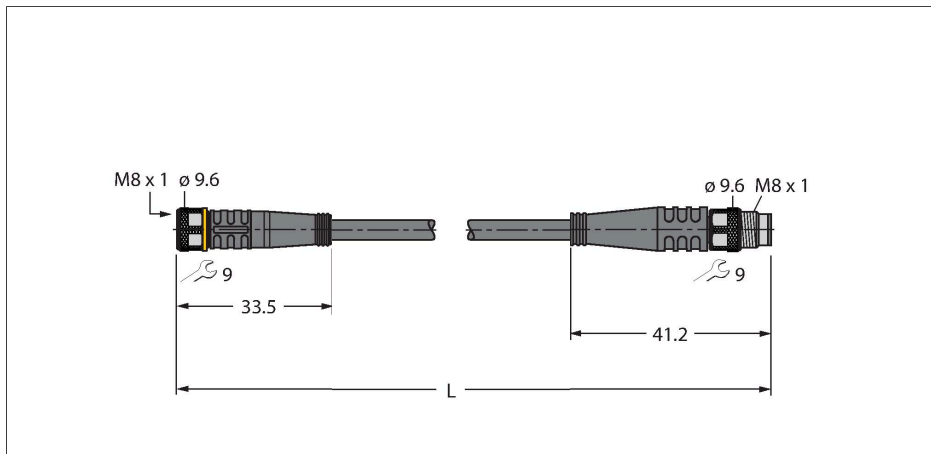


# PKG3M-1.5-PSG3M/TEY

## Actuator and Sensor Cable, PVC – Extension Cable



### Technical data

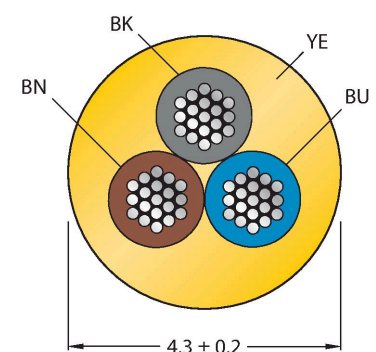
|                              |  |
|------------------------------|--|
| Type                         | PKG3M-1.5-PSG3M/TEY  |
| ID                           | 6629491  |
| Connector A                  | Female, M8 × 1, Straight                                     |
| Number of Pins               | 3  |
| Contacts                     | Brass, CuZn, Gold-plated                                     |
| Contact carriers             | Plastic, TPU, Black  |
| Connector body               | Plastic, TPU, Black  |
| Coupling nut/screw           | Brass, CuZn, Nickel-plated                                   |
| Seal                         | Plastic, FPM/FKM   |
| Tightening torque (range)    | 0.5 ... 0.6 Nm<br>(observe max. torque of mating connector!) |
| Mechanical lifespan          | > 100 Mating cycles  |
| Pollution degree             | 3  |
| Protection class             | IP67, IP69K, Only in screwed condition                       |
| Connector B                  | Male, M8 × 1, Straight                                       |
| Number of pins               | 3  |
| Contacts                     | Brass, CuZn, Gold-plated                                     |
| Contact carriers             | Plastic, TPU, Black  |
| Connector body               | Plastic, TPU, Black  |
| Coupling nut/retaining screw | Brass, CuZn, Nickel-plated                                   |
| Tightening torque            | 0.5 ... 0.6 Nm<br>(observe max. torque of mating connector!) |
| Mechanical life              | > 100 Mating cycles  |
| Pollution degree             | 3  |
| Protection class             | IP67, IP69K, Only when screwed together                      |

### Features



- Female M8, straight, 3-pin
- Male M8, straight, 3-pin
- Jacket material: PVC
- Jacket color: yellow
- Resistant to chemicals and oils
- Flame retardant
- Resistant to acids and alkaline solutions
- Resistant to microbes and hydrolysis
- LABS free
- Protection class: IP67, IP69K
- Cable length: 1.5 m

### Cable Cross-Section



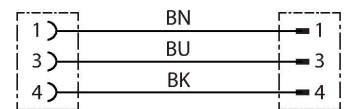
### Contact assignment

## Technical data

| Cable                                    |  |
|--|--|
| Cable diameter                           | Ø 4.3 mm ±0.20                         |
| Cable length                             | 1.5 m                                  |
| Cable jacket                             | PVC, Yellow                            |
| Core insulation                          | PVC                                    |
| Core cross-section                       | 3 x 0.34 mm <sup>2</sup>               |
| Arrangement of strands                   | 42 x 0.1 mm                            |
| Core colors                              | BN, BU, BK                             |
| Electrical properties at +20 °C          |  |
| Rated voltage                            | 50 V <sub>AC</sub> /60 V <sub>DC</sub> |
| Test voltage                             | 2000 V                                 |
| Current                                  | 4 A                                    |
| Insulation resistance                    | > 30.5 MΩ/km                           |
| forward resistance                       | max. 57 Ω/km                           |
| Mechanical and chemical properties       |  |
| Bending radius (stationary installation) | ≥ 5 x Ø                                |
| Bending radius (flexible use)            | ≥ 10 x Ø                               |
| Ambient temperature range (stationary)   | -40...+105 °C                          |
| Ambient temperature range (In motion)    | 0...+80 °C                             |
| Approvals                                | cULus                                  |



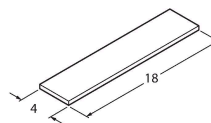
## Circuit Diagram



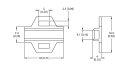
## Accessories

| TORQUE-WRENCH-SET-AS  | 6936170 |
|---|---------|
| Torque wrench set; handles with adjustable torque 0.4-1.0 Nm, torque wrench for M8 (SW9), fork wrench for M12 (SW 14) |         |

| BLANK-LABEL-FOR-CORDSETS-TEL-TXL  | 6936206 |
|---|---------|
| Label for TEL and TXL cables, length: 18 mm, height: 4 mm, material: polycarbonate (PC), color: white, halogen-free and flame-retardant |         |



## Accessories

| Dimension drawing   | Type                  | ID        |  |
|---|-----------------------|-----------|--|
|  | LABEL-HOLDER-FLEX-PVC | 100048170 | PVC label holder for identification of extension cables (TEL/TXL product series); for cable diameters: min. 5 mm; dimensions 4 x 18 mm; delivery unit: 50 pcs. per package |