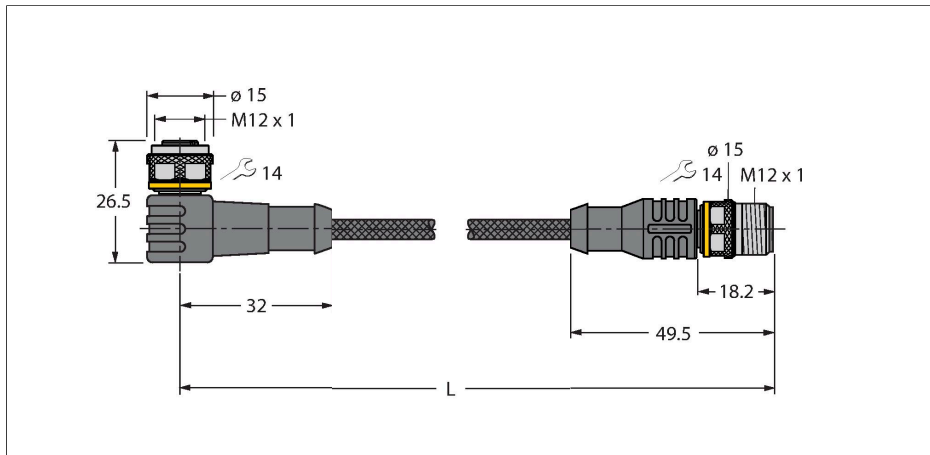


# WKC5T-P7X3-5-RSC5T/TXL1001

## Weld-Splatter Resistant Actuator and Sensor Cable – Extension Cable



### Features

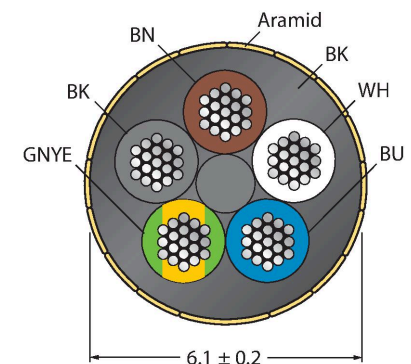


- Female M12, angled, 4-pin + PE
- With 3-color LED (PNP, yellow, yellow, green)
- Male M12, straight, 4-pin + PE
- Jacket material: PUR jacketed with aramid fibers
- Jacket color: yellow
- Resistant to welding sparks
- Flame retardant
- Resistant to chemicals, UV radiation and oils
- Free from halogen, silicone, PVC and LABS
- Protection class: IP67, IP69K
- Protective jacket material: aramid fibers
  - Tensile strength: 2923 MPa
  - Breaking strength: 333 N
  - Elongation at break: 3.6 %
  - Temperature peaks: up to +200 °C
- Cable length: 5.0 m

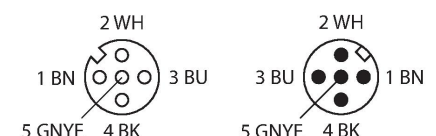
### Technical data

|                              |   |
|------------------------------|---|
| Type                         | WKC5T-P7X3-5-RSC5T/TXL1001              |
| ID                           | 6630247                                 |
| Remark to product            | !!! Pin 5 = PE !!!                      |
| Connector A                  | Female, M12 × 1, Angled, A-coded        |
| Number of Pins               | 4+PE                                    |
| Contacts                     | Brass, CuZn, Gold-plated                |
| Contact carriers             | Plastic, TPU, Black                     |
| Connector body               | Plastic, TPU, Translucent               |
| Coupling nut/screw           | Brass, CuZn, Nickel-plated              |
| Seal                         | Plastic, FPM/FKM                        |
| LED display                  | triple LED                              |
| Display operating voltage    | LED, Green                              |
| Display switch state         | LED, Yellow/yellow                      |
| Mechanical lifespan          | > 100 Mating cycles                     |
| Pollution degree             | 3                                       |
| Protection class             | IP67, IP69K, Only in screwed condition  |
| Connector B                  | Male, M12 × 1, Straight, A-coded        |
| Number of pins               | 4+PE                                    |
| Contacts                     | Brass, CuZn, Gold-plated                |
| Contact carriers             | Plastic, TPU, Black                     |
| Connector body               | Plastic, TPU, Black                     |
| Coupling nut/retaining screw | Brass, CuZn, Nickel-plated              |
| Mechanical life              | > 100 Mating cycles                     |
| Pollution degree             | 3                                       |
| Protection class             | IP67, IP69K, Only when screwed together |

### Cable Cross-Section



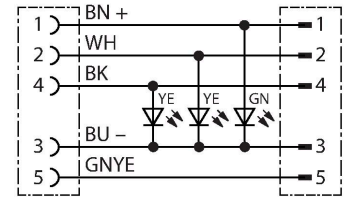
### Contact assignment



## Technical data

| Cable                                    |                          |
|--|--------------------------|
| Cable diameter                           | Ø 6.1 mm ±0.20           |
| Cable length                             | 5 m                      |
| Cable jacket                             | PUR, Yellow              |
| Core insulation                          | PP                       |
| Core cross-section                       | 5 x 0.34 mm <sup>2</sup> |
| Arrangement of strands                   | 42 x 0.1 mm              |
| Core colors                              | BN, WH, BU, BK, GNYE     |
| Electrical properties at +20 °C          |                          |
| Rated voltage                            | 30 V <sub>DC</sub>       |
| Test voltage                             | 2000 V                   |
| Current                                  | 4 A                      |
| Insulation resistance                    | > 30.5 MΩ/km             |
| forward resistance                       | max. 57 Ω/km             |
| Mechanical and chemical properties       |                          |
| Bending radius (stationary installation) | ≥ 5 x Ø                  |
| Bending radius (flexible use)            | ≥ 10 x Ø                 |
| Ambient temperature range (stationary)   | -50...+105 °C            |
| Ambient temperature range (In motion)    | -30...+90 °C             |

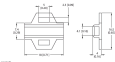
## Circuit Diagram



## Accessories

| TORQUE-WRENCH-SET-AS  | 6936170 |
|---|---------|
| Torque wrench set; handles with adjustable torque 0.4-1.0 Nm, torque wrench for M8 (SW9), fork wrench for M12 (SW 14) |         |

## Accessories

| Dimension drawing   | Type                  | ID        |  |
|---|-----------------------|-----------|--|
|  | LABEL-HOLDER-FLEX-PVC | 100048170 | PVC label holder for identification of extension cables (TEL/TXL product series); for cable diameters: min. 5 mm; dimensions 4 x 18 mm; delivery unit: 50 pcs. per package |