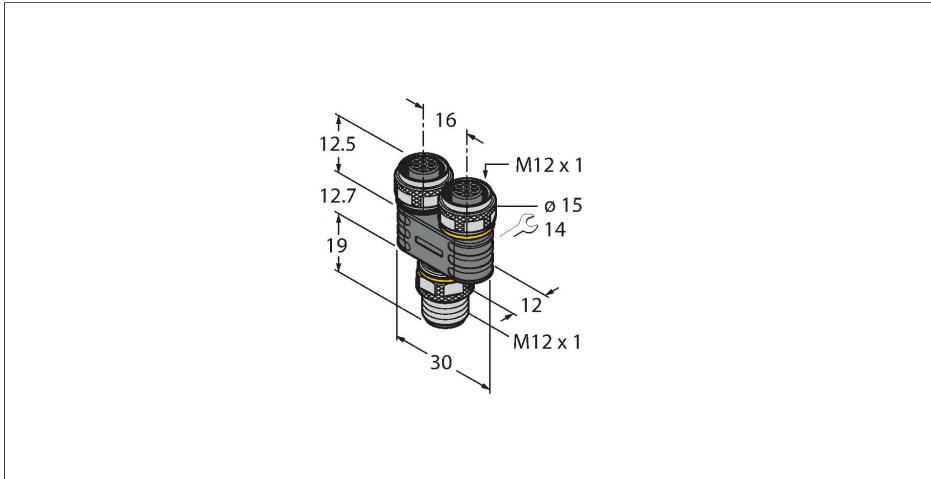


YB2-FSM5-2FKM5

2-Way Splitter – Y-Splitter without Cable, Male Connector — 2 × Female Connectors



Technical data

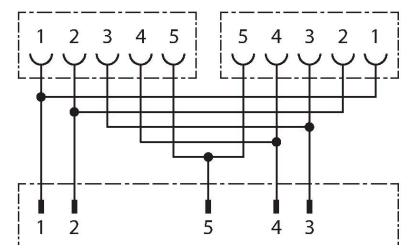
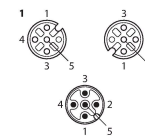
Type	YB2-FSM5-2FKM5
ID	6635497
Distributed I/O	Y-splitter, 2 -port
Connector A	Male, M12 × 1
Number of Pins	5
Connector body	Plastic, TPU, Black
Tightening torque (range)	0.8 ... 1 Nm
Pollution degree	3
Connector B	2 x Female, M12 × 1
Number of pins	5
Contacts	Brass, CuZn, Gold-plated
Contact carriers	Plastic, TPU, Black
Connector body	Plastic, TPU, Black
Coupling nut/retaining screw	Brass, Nickel-plated
Mechanical life	> 100 Mating cycles
Protection class	IP67, Only when screwed together
Electrical properties at +20 °C	
Rated voltage	60 V
Current	4 A
Insulation resistance	≥ 10 ⁸ Ω
forward resistance	≤ 5 mΩ
Mechanical and chemical properties	
Ambient temperature range (In motion)	-30...+80 °C

Features



- M12 male connector, 5-pin
- 2 × M12 female connector, 5-pin
- Wired in parallel
- RoHS compliant
- Protection class: IP67

Contact assignment



Accessories

TORQUE-WRENCH-SET-AS

6936170

Torque wrench set; handles with adjustable torque 0.4-1.0 Nm, torque wrench for M8 (SW9), fork wrench for M12 (SW 14)