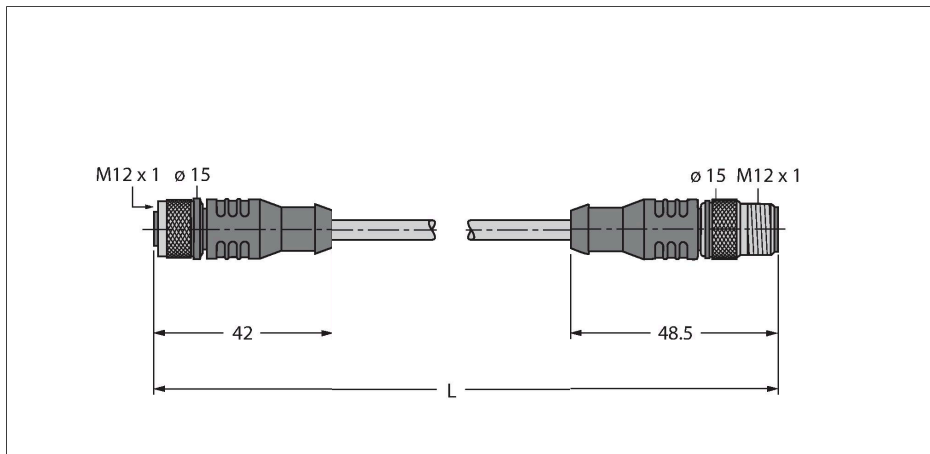


RK4.5T-2-RS4.5T/S2500

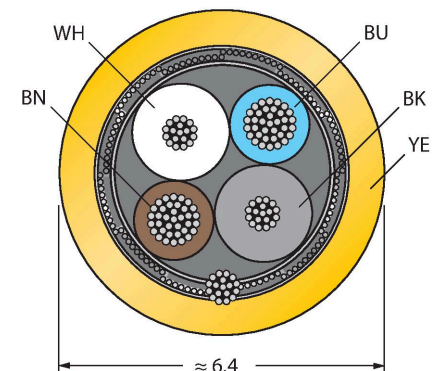
RFID Cable Standard Version – Extension Cable



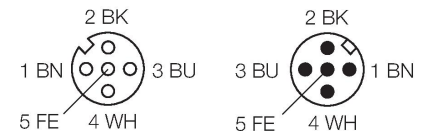
Features

- 4-core, AWG 24/AWG 22
- Jacket material: PUR, color: yellow
- Halogen- and LABS-free
- Shield: Aluminum foil, tinned copper braid
- Jacket diameter: 6.4 mm
- Suitable for drag chain use, oil-resistant, highly flexible
- Cable UL Style 20963
- Cable length: 2.0 m

Cable Cross-Section



Contact assignment



Heading wiring diagram 3

Pin Assignment Right

Technical data

Type	RK4.5T-2-RS4.5T/S2500
ID no.	6699200
Connector A	Female, M12 × 1, Straight, A-coded
Number of Pins	5
Contacts	Metal, CuZn, Gold-plated
Contact carriers	Plastic, TPU, Black
Connector body	Plastic, TPU, Black
Coupling nut/screw	Brass, CuZn-Ni, Nickel-plated
Seal	Plastic, FPM/FKM
Tightening torque (range)	0.6 ... 1 Nm (observe max. torque of mating connector!)
Mechanical lifespan	> 100 Mating cycles
Pollution degree	3
Type of protection	IP67, Only in screwed condition
Connector B	Male, M12 × 1, Straight, A-coded
Number of pins	5
Contacts	Metal, CuZn, Gold-plated
Contact carriers	Plastic, TPU, Black
Connector body	Plastic, TPU, Black
Coupling nut/retaining screw	Brass, CuZn-Ni, Nickel-plated
Tightening torque	0.6 ... 1 Nm (observe max. torque of mating connector!)
Mechanical life	> 100 Mating cycles
Pollution degree	3
Protection class	IP67, Only when screwed together
Cable	
Cable diameter	Ø 6.4 mm

Technical data

Cable length	2 m
Cable jacket	PUR, Yellow
Shielding	yes
Data cable cores	
Core cross-section	2 x 0.2 mm ²
Power cable cores	
Cable conductor cross-section	2x 0.34 mm ²
Core colors	Power: BN, BU Data: WH, BK
Electrical properties at +20 °C	
Rated voltage	30 V
DC resistance (loop)	103 Ω/km
Nom. impedance	135 Ω
Nom. capacitance	50 pF/m
Mechanical and chemical properties	
Bending radius (flexible use)	≥ 8 x Ø
Bending cycles	≥ 1 million
Ambient temperature range (stationary)	-40 °C...+90 °C
Ambient temperature range (In motion)	-25 °C...+90 °C
Other Features	
Qualified for drag chain use	yes
Halogen-free	yes
Approvals	Cable UL Style 20963