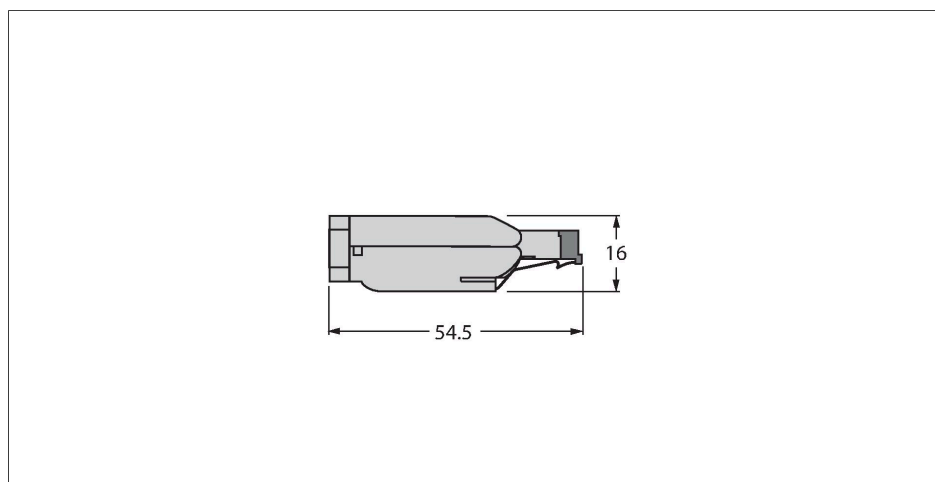


# 6GK1901-1BB10-2AA0

## Accessories for Fieldbus Systems – Field-wireable connector

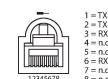


### Features



- RJ45 male connector
- For use in Ethernet applications, CAT5
- Shieldable
- Metal housing
- RoHS compliant
- Protection class IP20
- IDC quick connection
- 4-pin

### Contact assignment



- 1 = TX +
- 2 = TX -
- 3 = RX +
- 4 = n.c.
- 5 = n.c.
- 6 = RX -
- 7 = n.c.
- 8 = n.c.

### Headline Wiring Diagram



- 1 = YE (TX +)
- 2 = OG (TX -)
- 3 = WH (RX +)
- 4 = n.c.
- 5 = n.c.
- 6 = BU (RX -)
- 7 = n.c.
- 8 = n.c.

### Technical data

Type	6GK1901-1BB10-2AA0
ID	6780031
Connector A	Male, RJ45, Straight
Number of Pins	4
Contact carriers	Plastic
Connector body	Metal
External diameter of the cable	6...8 mm
Connection mode	Insulation displacement terminal
Protection class	IP20, (plugged)
Network protocol	Ethernet
Shielding	yes
<b>Electrical properties at +20 °C</b>	
Rated voltage	30 V
Current	2 A
Insulation resistance	≥ 10 <sup>8</sup> Ω
<b>Mechanical and chemical properties</b>	
Ambient temperature range (stationary)	-40...+80 °C