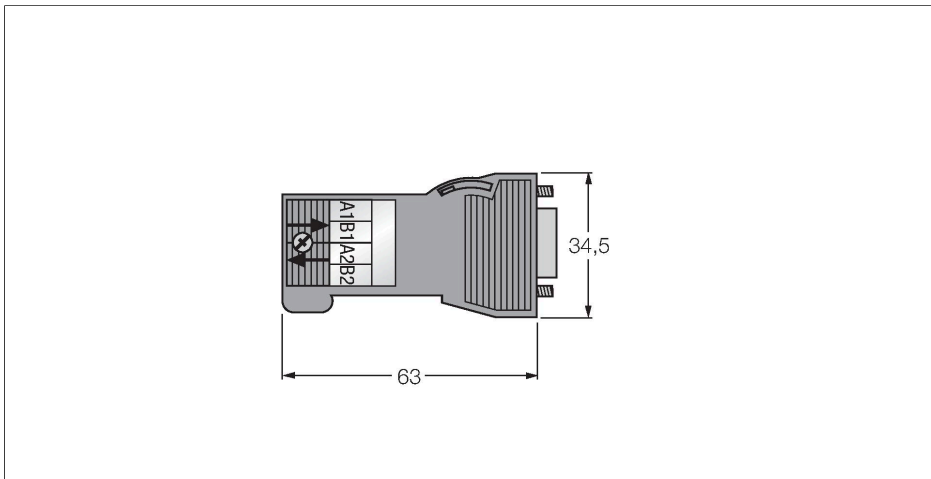


# 6GK1500-0FC10

## Sub-D Connector

### Male Connector, Straight



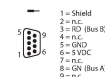
#### Technical data

Type	6GK1500-0FC10
ID	6780088
Connector A	Male, D-Sub, Straight
Number of Pins	9
Contacts	Metal, CuZn, Gold-plated
Contact carriers	White
Connector body	Plastic, Gray
External diameter of the cable	6...8 mm
Connection mode	Insulation displacement terminal
Pollution degree	1
Protection class	IP20
Network protocol	PROFIBUS-DP
Shielding	no
<b>Electrical properties at +20 °C</b>	
Rated voltage	24 V
Current	2 A
Insulation resistance	$\geq 10^8 \Omega$
<b>Mechanical and chemical properties</b>	
Ambient temperature range (stationary)	-25...+60 °C
Approvals	UL CE

#### Features

- For use in PROFIBUS-DP applications
- Up to 12 Mbps
- Activatable terminating resistor
- 180° cable outlet
- Shieldable
- Plastic Housing
- IDC quick connection
- 9-pin
- Cable diameter 6.0...8.0 mm
- UL approval
- For Ex area, zone 2

#### Contact assignment



#### Headline Wiring Diagram

##### Pin Assignment

