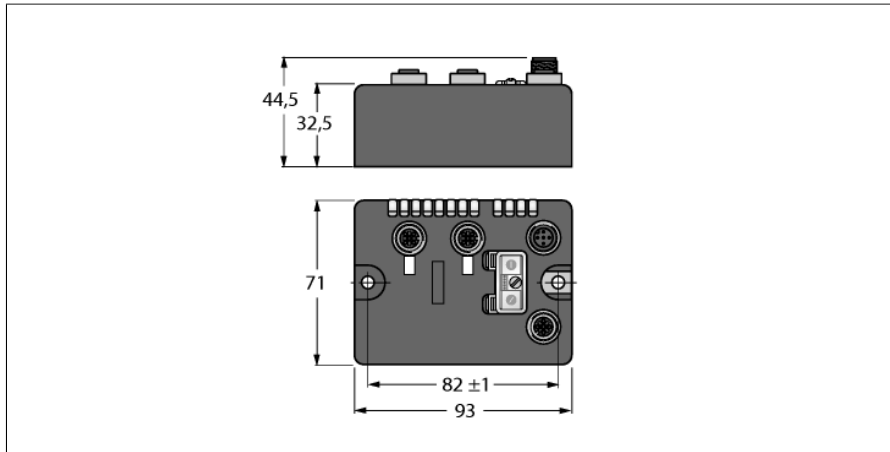


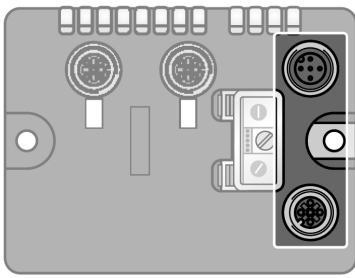
BL Compact Fieldbus Station for DeviceNet Interface for Connection of 2 BL ident® Read/Write Heads (HF/ UHF) BLCDN-2M12S-2RFID-S



Type	BLCDN-2M12S-2RFID-S
ID	6811002
Nominal system voltage	24 VDC
System power supply	Via DeviceNet
Admissible range V+	18...30 VDC
Nominal current V+	55 mA
Max. current V+	4 A
Fieldbus transmission rate	125/250/500 kbps
Adjustment transmission rate	Automatic detection
Fieldbus address range	0...63 64...80 (MacID programmable) 81...99 (manufacturer specific)
Fieldbus addressing	2 dec. Rotary coding switches
Fieldbus connection technology	2 × M12 5-pin
Fieldbus termination	External
Service interface	RS232 interface
Vendor ID	48
Product type	12
Product code	11002
Technology	
Signal type	Simple RFID interface
Number of channels	2
Sensor supply	0.5 A per channel, short-circuit proof
Simultaneity factor	1
Transmission rate	115.2 kbps
Cable length	50 m
Electrical isolation	Electronics and field level isolated via optocouplers

- On-Machine™ compact fieldbus I/O blocks
- DeviceNet™ slave
- 125/250/500 kbps
- Two 5-pin M12 male receptacles for fieldbus connection
- 2 rotary coding switches for node-address
- IP 69K
- M12 I/O ports
- LEDs indicating status and diagnostics
- Electronics galvanically isolated from the field level via optocouplers
- Simple RFID interface
- Connection of 2 BL ident read/write heads
- Max. cable length 50 m

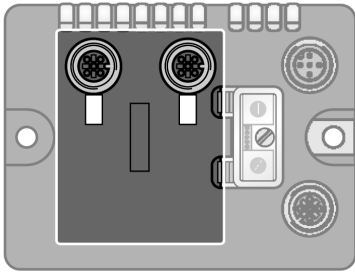
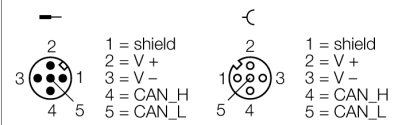
Dimensions	93 x 71 x 32.5 mm
Mounting	2 × 5.4 mm diameter holes, 1.7 Nm torque
Weight	290 ± 20 g
Housing material	Glass fiber reinforced nylon, nickel-plated connector
Housing color	Black
Material screw	Nickel-plated brass
Material label	Polyester with polycarbonate overlay
Ground label material	Nickel-plated brass
Protection class	IP67 IP69K
Ambient temperature	-40...+70 °C
Storage temperature	-40...+85 °C
Relative humidity	15...95 %, non-condensing
Vibration test	Acc. to IEC 61131-2
- up to 20 g (at 10 up to 150 Hz)	For mounting on base plate or machinery
Shock test	acc. to IEC 61131-2
Electromagnetic compatibility	Acc. to IEC 61131-2
Approvals and certificates	CE, cULus



DeviceNet

Fieldbus cable (example): RSC RKC 572-2M ident-no. U0323 or RSC-RKC572-2M ident-no. 6603629

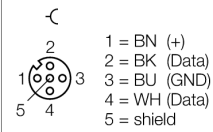
Pin Assignment



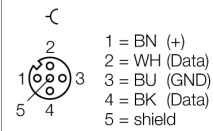
RFID Channels

Extension cable (example): RK 4.5T-2-RS 4.5T/S2501 ident-no. U3-01243 or RK4.5T-2-RS4.5T/S2500 ident-no. 6699200

.../S2500 Connectors



.../S2501 Connectors



Status: Station LED

LED	Color	Status	Description
IOs		OFF	Power off
	RED	ON	Insufficient power supply
	RED	FLASHING (1Hz)	Deviating station configuration
	RED	FLASHING (4 Hz)	No module bus communication
	GREEN	ON	Station OK
	GREEN	FLASHING	Force mode active
MNS		OFF	No connection
	GREEN	ON	Fieldbus communication active
	GREEN	FLASHING (1Hz)	Fieldbus communication disabled, device status OK
	RED	ON	Double MAC-ID
	RED	FLASHING	Fieldbus communication timeout
IO	GREEN	ON	I/O slots OK
	GREEN	FLASHING (1Hz)	At least one I/O slot in idle state
	RED	ON	At least one faulty I/O slot
	RED	FLASHING	At least one I/O slot in faulty state

Status: I/O LED

LED	Color	Status	Description
D *		OFF	Diagnostic disabled
	RED	ON	Station / module bus communication failure
	RED	FLASHING (0.5Hz)	Summarized diagnostic
RW0 / RW1		OFF	No tag, diagnostic disabled
	GREEN	ON	Tag available
	GREEN	FLASHING (2 Hz)	Data exchange with tag enabled
	RED	ON	Read/write head fault
	RED	FLASHING (2 Hz)	Short-circuit in the supply line of read/write head

* D LED also indicates gateway diagnostic

Mapping of I/O and Diagnostic Data

Input	BYTE	Bit 7	Bit 6	Bit 5	Bit 4	Bit 3	Bit 2	Bit 1	Bit 0
RFID 1 ₀	0	Done	Busy	Error	Trans. Conn.	Trans. On	TP	TFR	-
	1	Error Cat. (Category Code)							
	2	Error Desc. (Description Code)							
	3	-	-	-	-	-	-	-	-
	4...11	Read Data (8 Byte)							
RFID 1 ₁	12	Done	Busy	Error	Trans. Conn.	Trans. On	TP	TFR	-
	13	Error Cat. (Category Code)							
	14	Error Desc. (Description Code)							
	15	-	-	-	-	-	-	-	-
	16...23	Read Data (8 Byte)							
Diagnose	24	Modulnummer meldet Diagnose Daten							
	25	Austauschstation	-	Diagnose aktiv	-	-	-	-	-
Steckplatz 1 (ref. Byte 24)	26	-	-	-	-	-	RFID 1 ₀ Trans. PS Off	-	-
	27	-	-	-	-	RFID 1 ₀ Trans. PS Error	-	-	RFID 1 ₀ Trans. Hardware-Fehler
	28	-	-	-	-	-	RFID 1 ₁ Trans. PS Off	-	-
	29	-	-	-	-	RFID 1 ₁ Trans. PS Error	-	-	RFID 1 ₁ Trans. Hardware-Fehler
OUTPUT	BYTE	Bit 7	Bit 6	Bit 5	Bit 4	Bit 3	Bit 2	Bit 1	Bit 0
RFID 1 ₀	0	Transceiver	Next	Tag ID	Read	Write	Tag Info.	Trans. Info.	Reset
	1	-	-	-	-	-	Byte Count 2	Byte count 1	Byte count 0
	2	Address High Byte (MSB)							
	3	Address Low Byte (LSB)							
	4...11	Write Data (8 Byte)							
RFID 1 ₁	12	Transceiver	Next	Tag ID	Read	Write	Tag Info.	Trans. Info.	Reset
	13	-	-	-	-	-	Byte Count 2	Byte count 1	Byte count 0
	14	Address High Byte (MSB)							
	15	Address Low Byte (LSB)							
	16...23	Write Data (8 Byte)							