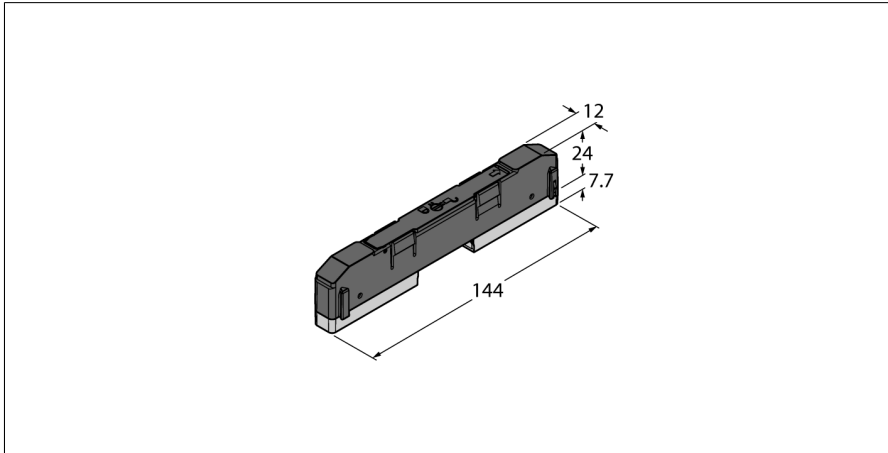


Adapter for mounting groups of TBEN-S modules on a DIN rail TBNN-S0-DRS-10



Type	TBNN-S0-DRS-10
ID	6814042
General Information	
Ambient temperature	-40...+70 °C
Protection class	IP65 IP67 IP69K
Housing material	PA6-GF30
Housing color	Black
Halogen-free	yes

- 10 pieces
- Grounding of the modules on the DIN rail
- Easy arrangement of TBEN-S modules
- Creation of compact TBEN-S module groups
- Straightforward installation
- Simple compliance with the installation dimensions