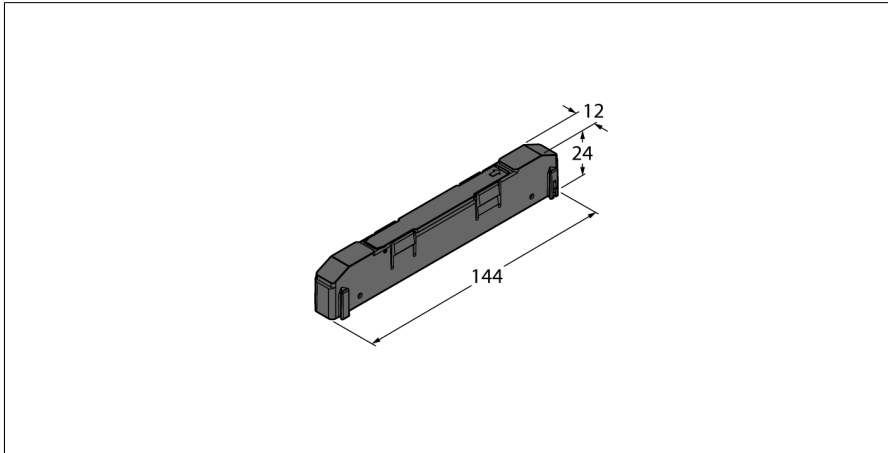


Adapter for Setting up TBEN-S Module Groups TBNN-S0-STD-10



Type	TBNN-S0-STD-10
ID	6814045
General Information	
Ambient temperature	-40...+70 °C
Protection class	IP65 IP67 IP69K
Housing material	PA6-GF30
Housing color	Black
Halogen-free	yes
Weight	19 g

- 10 pieces
- Easy arrangement of TBEN-S modules
- Creation of compact TBEN-S module groups
- Straightforward installation
- Simple compliance with the installation dimensions