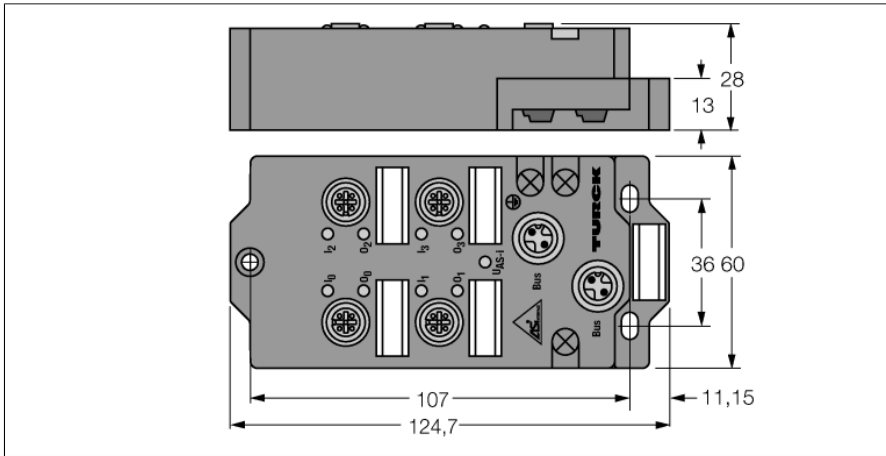


# compact fieldbus station for AS-interface

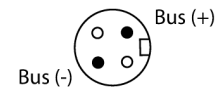
## 4 Inputs, 4 Outputs

### FAS4-CSG44



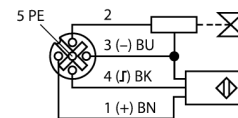
- Bus connected via AS-interface flat cable or male M12 x 1
- Field devices connected via male M12 x 1
- AS-i specification V2.1
- Short-circuit diagnostics
- Cast housing
- Protection class IP67
- Address range 1...31
- 4 inputs PNP
- 4 outputs PNP
- 24 VDC

#### Fieldbus



#### M12 x 1 Input/Output

3-wire pnp sensor  
DC actuator



Type	FAS4-CSG44
ID	6821324
Number of channels	4/4
Operating / load voltage	18...31 (AS-i) VDC
internal power consumption	<20 mA plus I/O supply
<b>Inputs</b>	
Number of channels	4
Low level signal current	<2 mA at 24 VDC
High level signal current	3...3.4 mA at 24 VDC
Input delay	2.5 ms
Max. input current	Total: 400 mA
<b>Outputs</b>	
Number of channels	4
Output current per channel	200 mA
Short-circuit protection	yes
Fieldbus address range	1...31
Fieldbus addressing	AS-i addressing tool
LEDs Bus	I/O: green = on . red = short-circuit (outputs) AS-i green = OK . red/green = fault
Dimensions (W x L x H)	60 x 124.7 x 28 mm
Housing material	fibre-glass reinforced Polyamide (PA6-GF30)
Mounting	4 mounting holes Ø 5,4 mm
Ambient temperature	-25...+70 °C
Protection class	IP67